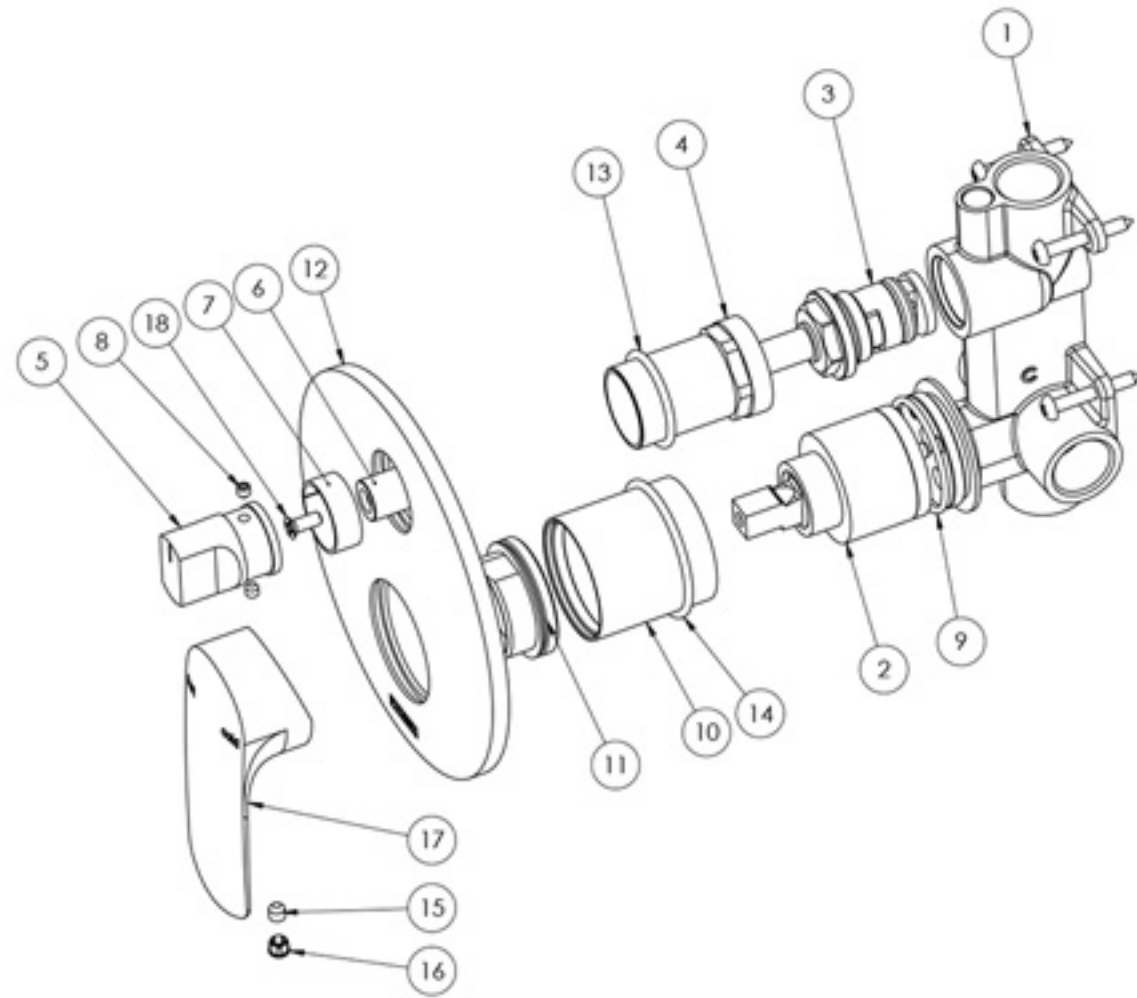


## PARTS LIST

1. DIVERTER MIXER BREACH
2. 35MM CARTRIDGE
3. DIVERTER ASSEMBLY
4. DIVERTER SLEEVE
5. DIVERTER BUTTON
6. SPINDLE ADAPTOR
7. NYLON BEARING
8. GRUB SCREW M4X4
9. O-RING
10. WALL MIXER SLEEVE
11. LOCKNUT
12. BACK PLATE
13. O-RING
14. O-RING
15. GRUB SCREW M5X5
16. SCREW CAP
17. MIXER HANDLE
18. COUNTERSUNK M4X10MM



## MAINTENANCE AND CARE:

- Chrome plated surfaces should be cleaned with mild liquid detergent or soap and water.
- Do not use cream cleaners or citrus based cleaning products, as they are abrasive.
- Use of unsuitable cleaning agents may damage the surface. Any damage caused in this way will not be covered by warranty.

## PACKAGING INCLUDES

- 1 x Diverter mixer
- 1 x Mixer handle
- 1 x Dress plate
- 1 x Installation kit
- 1 x Installation instructions
- 1 x Warranty card