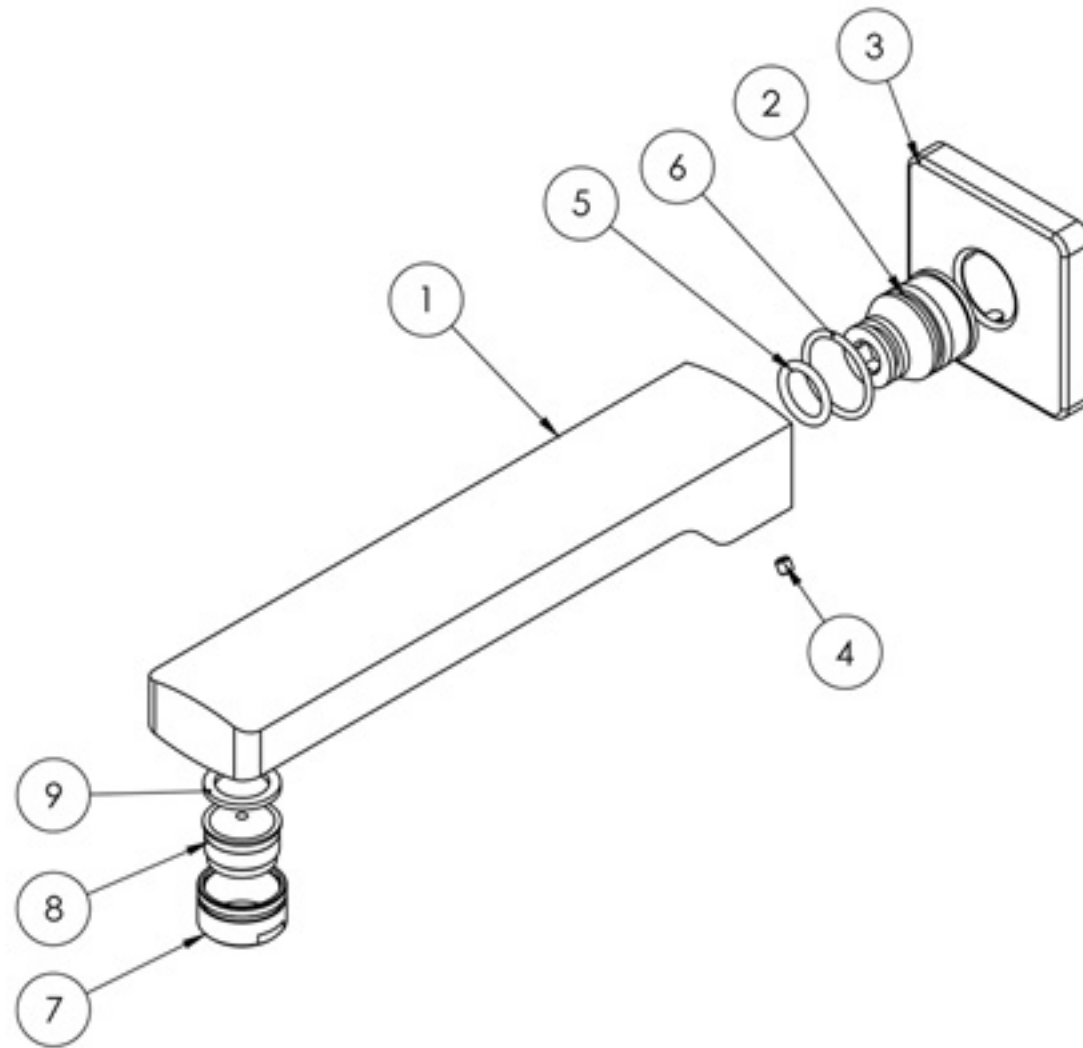


PARTS LIST

1. SPOUT
2. ADAPTER
3. BACK PLATE
4. GRUB SCREW M4X4
5. O-RING 14X2.5
6. O-RING 22X2.0
7. AERATOR RETAINER
8. AERATOR
9. WASHER



MAINTENANCE AND CARE:

- All surfaces should be cleaned with mild liquid detergent or soap and water.
- Do not use cream cleaners or citrus based cleaning products, as they are abrasive.
- Use of unsuitable cleaning agents may damage the surface. Any damage caused in this way will not be covered by warranty.