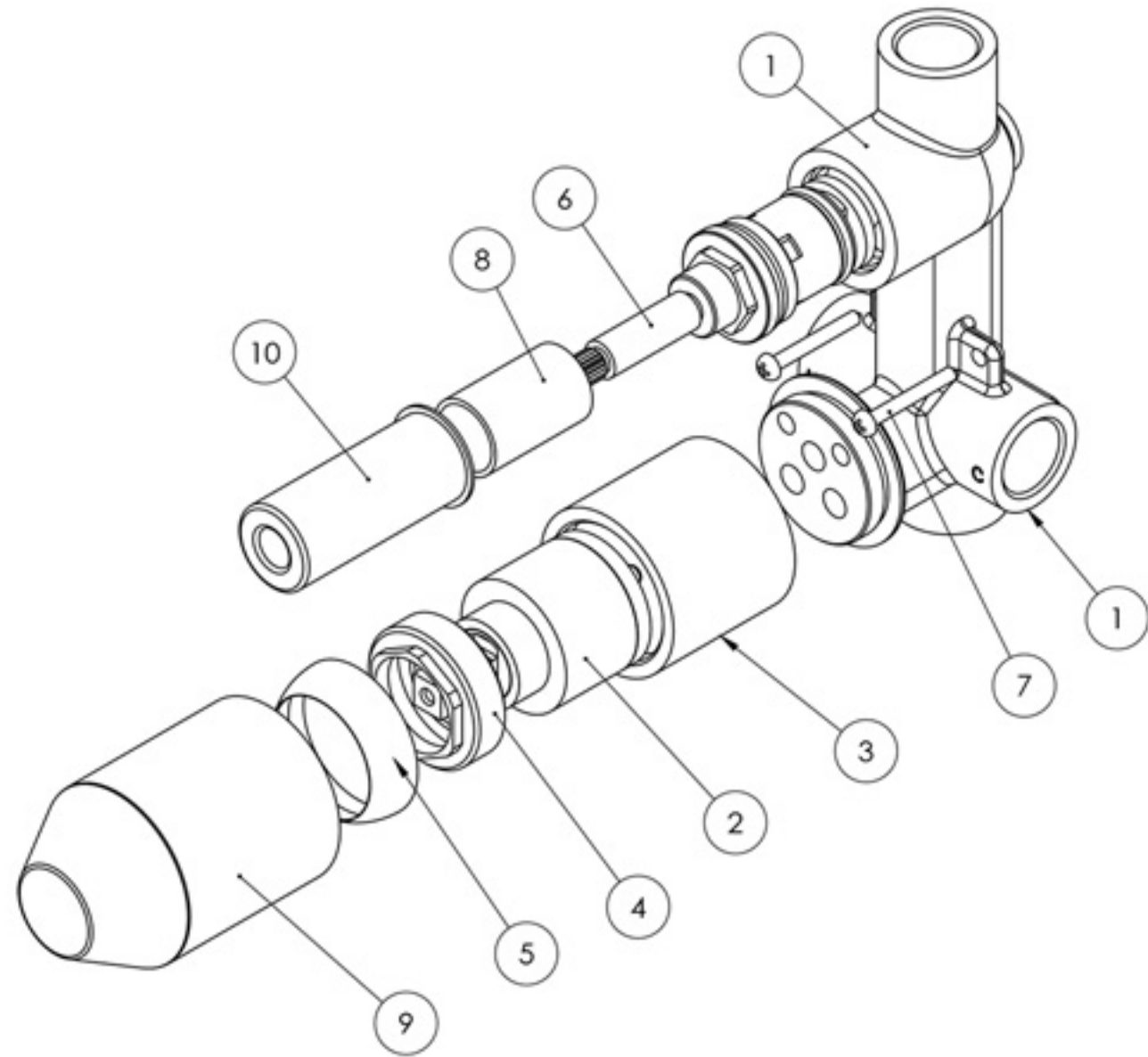


## PARTS LIST

---

1. MIXER BODY
2. 35MM CARTRIDGE
3. MIXER SLEEVE
4. CARTRIDGE LOCKNUT
5. DOME
6. DIVERTER ASSEMBLY
7. SCREW
8. DIVERTER SLEEVE
9. DIVERTER PROTECTIVE COVER
10. MIXER PROTECTIVE COVER



## MAINTENANCE AND CARE:

---

- All surfaces should be cleaned with mild liquid detergent or soap and water.
- Do not use cream cleaners or citrus based cleaning products, as they are abrasive.
- Use of unsuitable cleaning agents may damage the surface. Any damage caused in this way will not be covered by warranty.