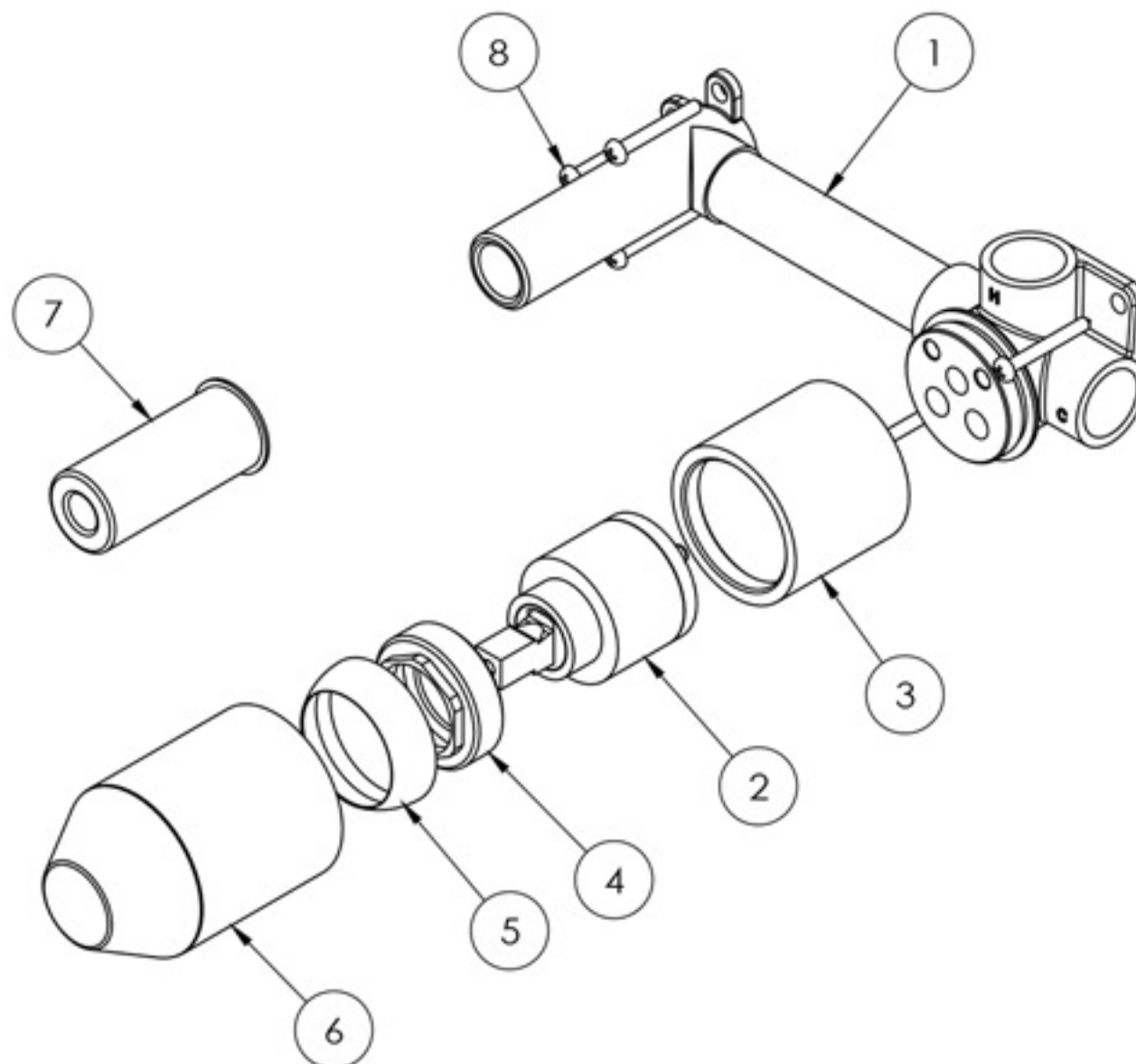


PARTS LIST

1. WALL BREACH
2. 35MM CARTRIDGE
3. MIXER SLEEVE
4. CARTRIDGE LOCKNUT
5. DOME
6. MIXER PROTECTIVE COVER
7. PROTECTIVE COVER
8. SCREW



MAINTENANCE AND CARE:

- All surfaces should be cleaned with mild liquid detergent or soap and water.
- Do not use cream cleaners or citrus based cleaning products, as they are abrasive.
- Use of unsuitable cleaning agents may damage the surface. Any damage caused in this way will not be covered by warranty.