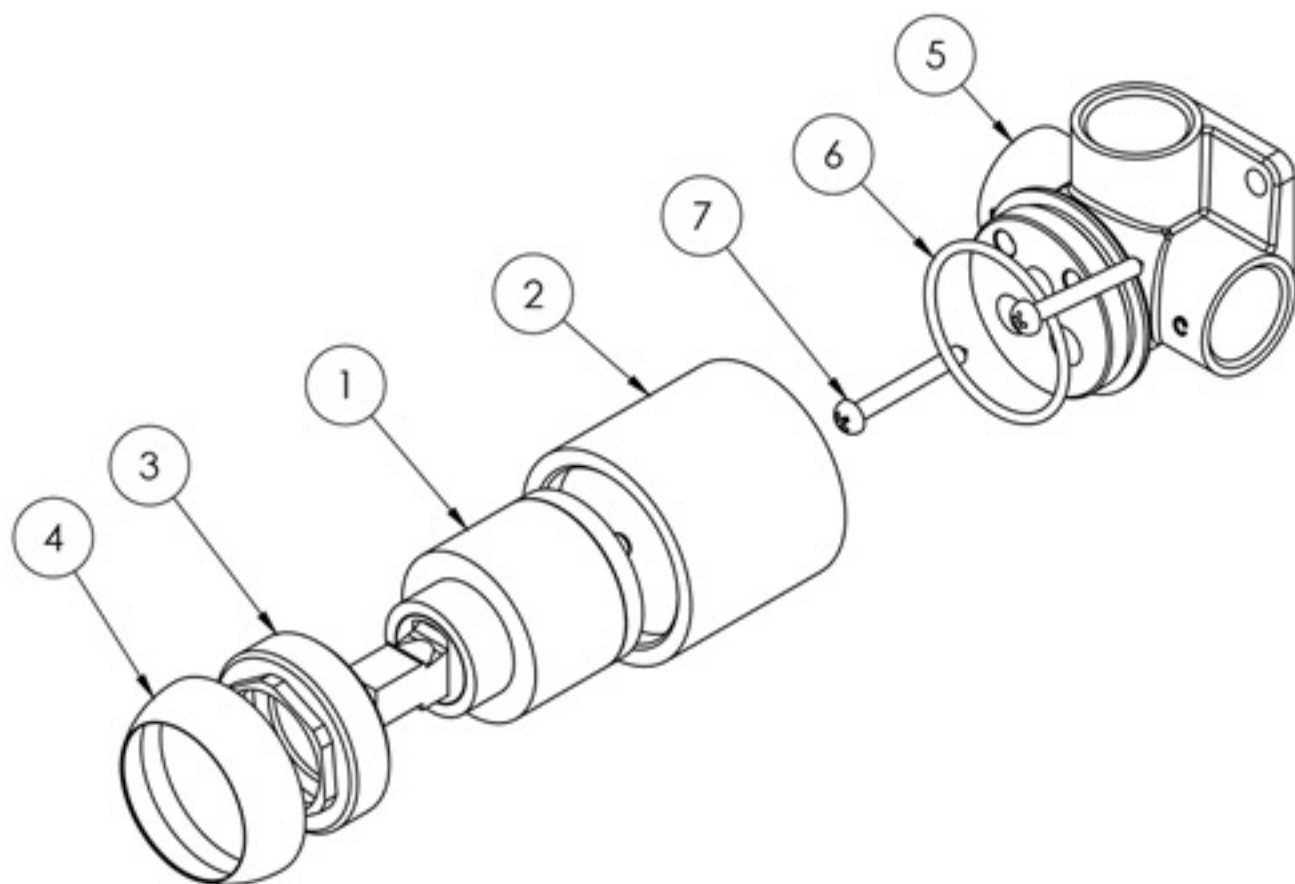


PARTS LIST

1. 35MM CARTRIDGE
2. SLEEVE
3. LOCKNUT
4. DOME
5. MIXER BODY
6. O-RING 33X2.0
7. SCREW



MAINTENANCE AND CARE:

- All surfaces should be cleaned with mild liquid detergent or soap and water.
- Do not use cream cleaners or citrus based cleaning products, as they are abrasive.
- Use of unsuitable cleaning agents may damage the surface. Any damage caused in this way will not be covered by warranty.