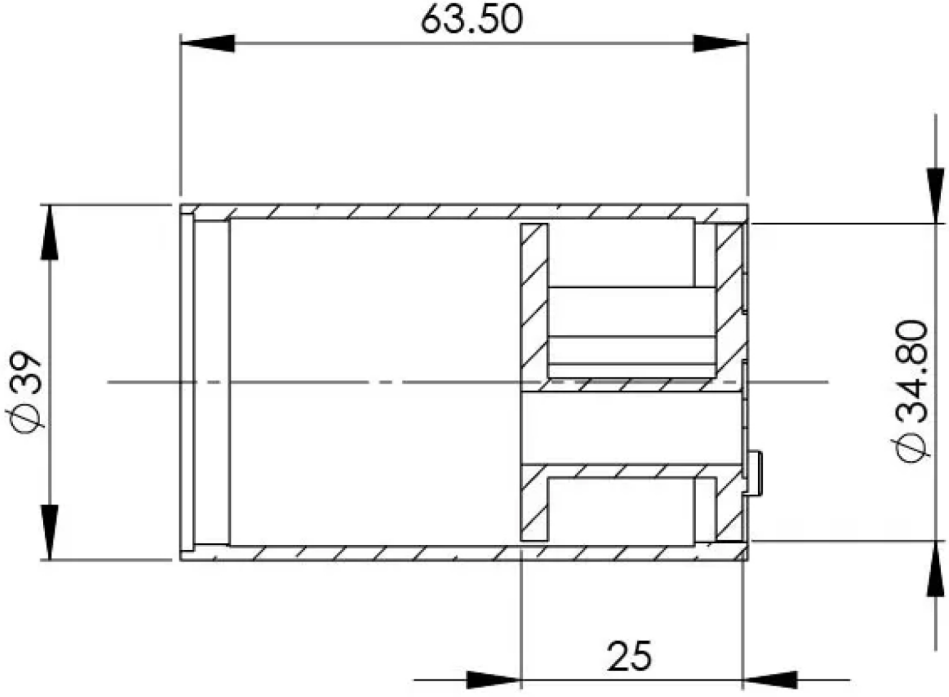


SPECIFICATIONS



AVAILABLE IN

- CC780 Chrome
- CC780-40 Brushed Nickel
- CC780-30 Gun Metal
- CC780-31 Brushed Carbon
- CC780-10 Matte Black
- CC780-12 Brushed Gold

INFORMATION

Temperature Rating
1 - 75°C

Pressure Rating
150 - 500kPa

MAINTENANCE AND CARE:

- All surfaces should be cleaned with mild liquid detergent or soap and water.
- Do not use cream cleaners or citrus based cleaning products, as they are abrasive.
- Use of unsuitable cleaning agents may damage the surface.
- Any damage caused in this way will not be covered by warranty.