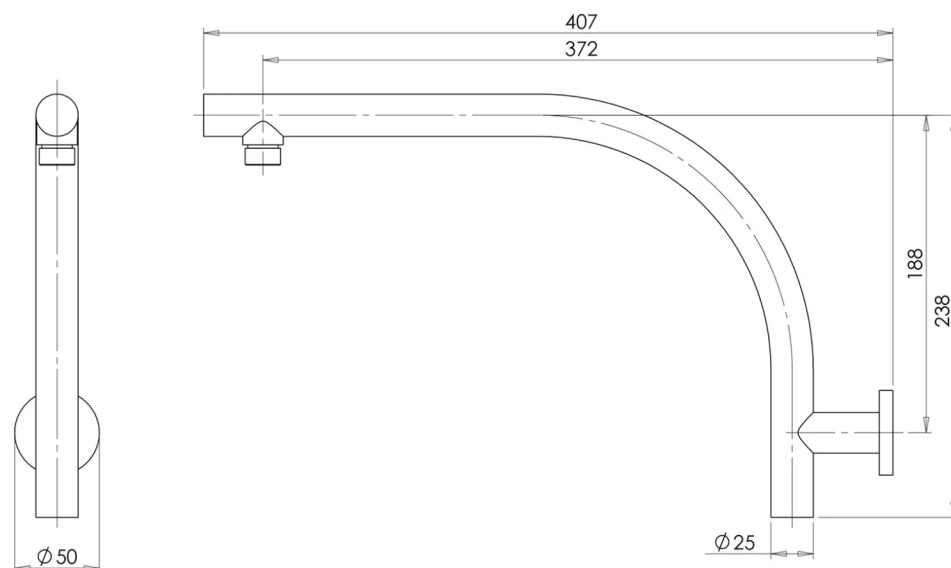


## SPECIFICATIONS



## AVAILABLE IN



RU522 CHR  
Chrome



RU522 BN  
Brushed Nickel



RU522 GM  
Gun Metal



RU522 MB  
Matte Black



RU522-12  
Brushed Gold

## INFORMATION

Temperature Rating  
1 - 75°C

Pressure Rating  
150 - 500kPa

## MAINTENANCE AND CARE:

- All surfaces should be cleaned with mild liquid detergent or soap and water.
- Do not use cream cleaners or citrus based cleaning products, as they are abrasive.
- Use of unsuitable cleaning agents may damage the surface.
- Any damage caused in this way will not be covered by warranty.