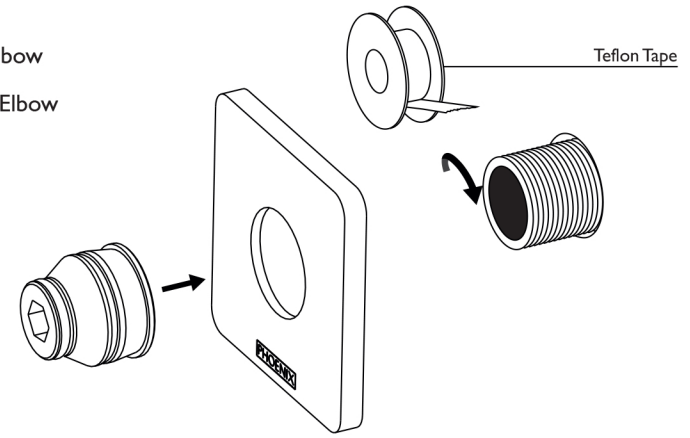


1

Apply Teflon Tape to Threaded Elbow

Place Back Plate over the Threaded Elbow

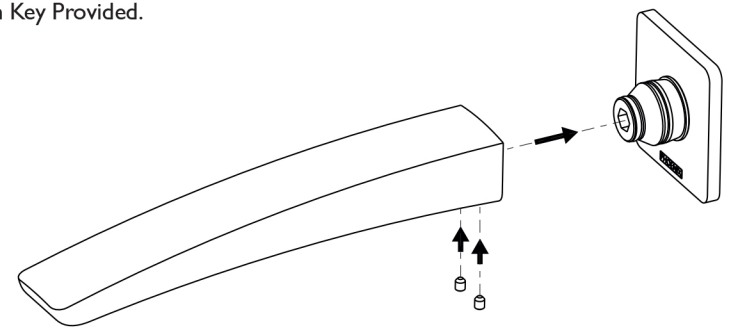

Screw Spout Adaptor onto Threaded Elbow and tighten firmly



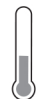
2

Push Wall Outlet onto Spout Adaptor.

Fasten Grub Screws using the Allen Key Provided.

recommended working pressure
150-500 KPa



maximum hot water temperature
75 degrees