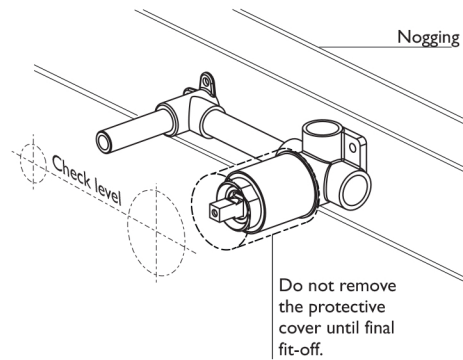


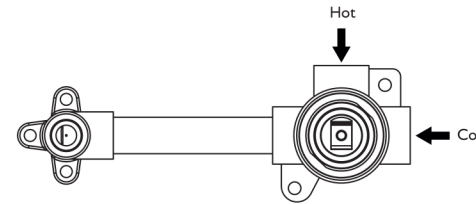
**1**

Screw the Mixer Breach onto Nogging.  
Ensure that the Outlet and Mixer Body centres are level.



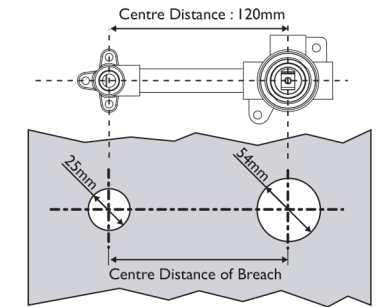
**2**

Connect hot and cold water supply, as shown.  
Test and check for leaks.



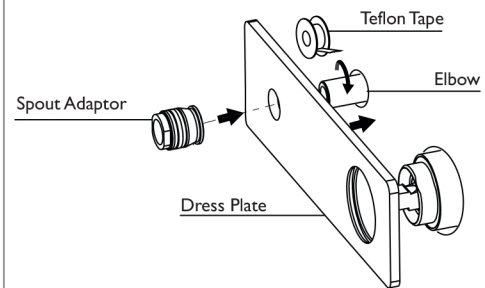
**3**

Check centre distance of the breach assembly for 120mm  
Mark centre line according to measured result.  
Create a 25mm hole and a 54mm hole on the cement sheet and tiles, as shown.



**4**

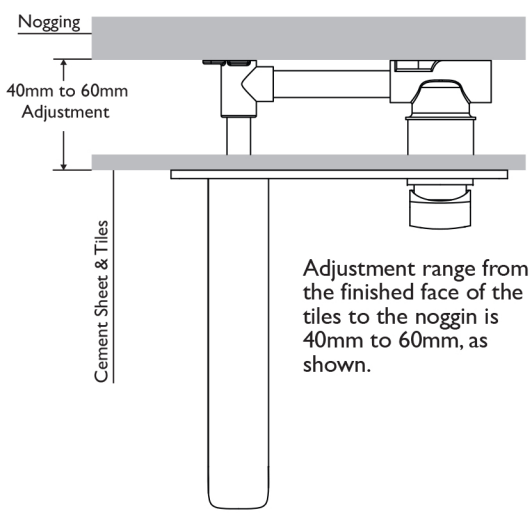
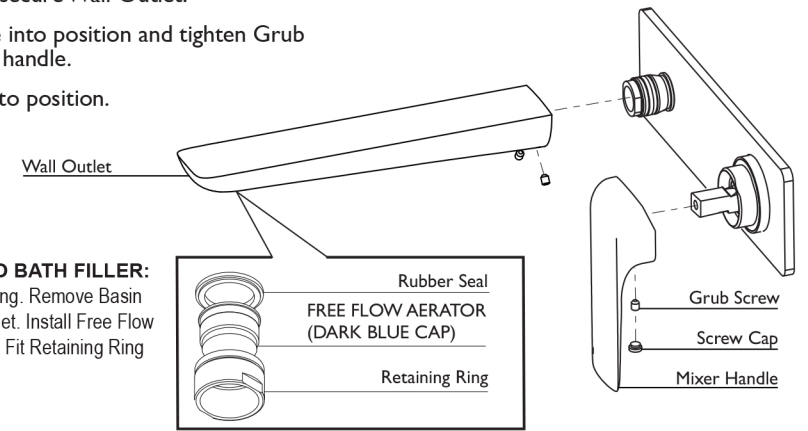

Remove the protective cover from the mixer.  
Apply Teflon tape to Elbow Thread.  
Gently push the dress plate into position.  
Screw Spout Adaptor to Elbow Thread with an Allen Key.




**5**

Push Wall Outlet to the spout adaptor and fasten Grub Screws to secure Wall Outlet.  
Fit Mixer Handle into position and tighten Grub Screw to secure handle.  
Fit Screw Cap into position.

**CONVERTING TO BATH FILLER:**  
Loosen Retaining Ring. Remove Basin Aerator from the outlet. Install Free Flow Aerator to the outlet. Fit Retaining Ring and tighten firmly.

recommended working pressure  
**150-500 KPa**



maximum hot water temperature  
**75 degrees**