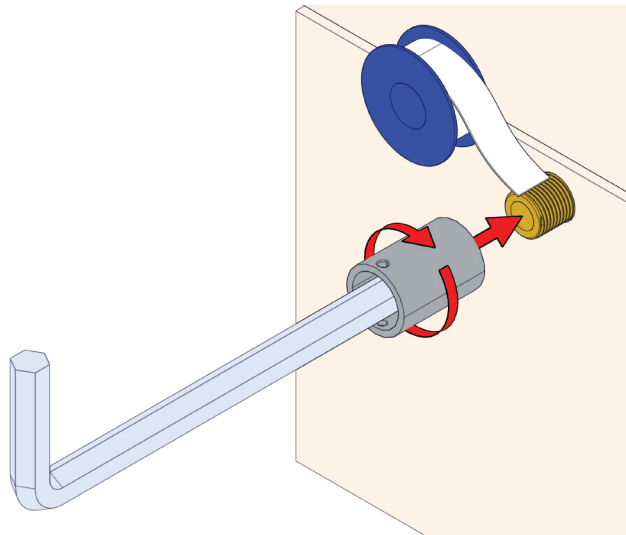


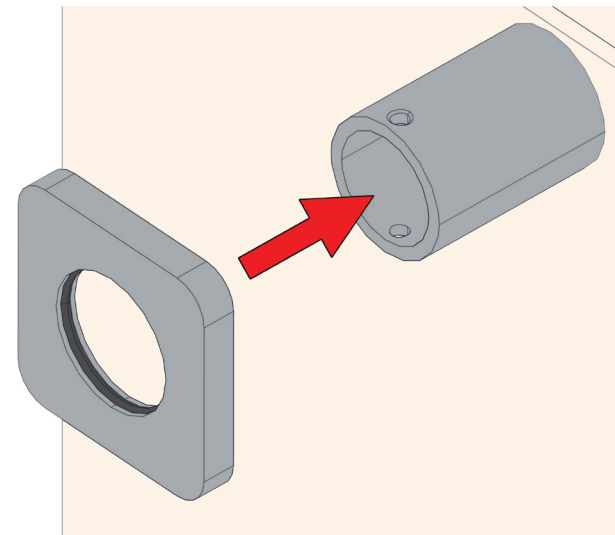
1



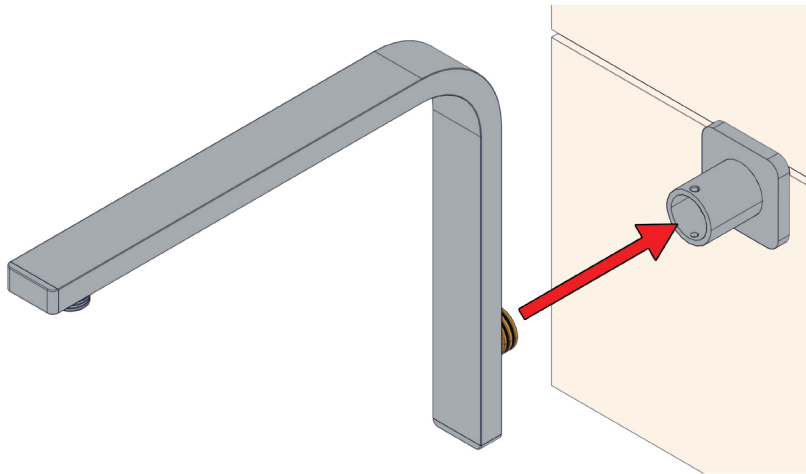
Apply teflon to wall thread and screw on Mounting Flange.

Fasten using a 14mm Allen Key.

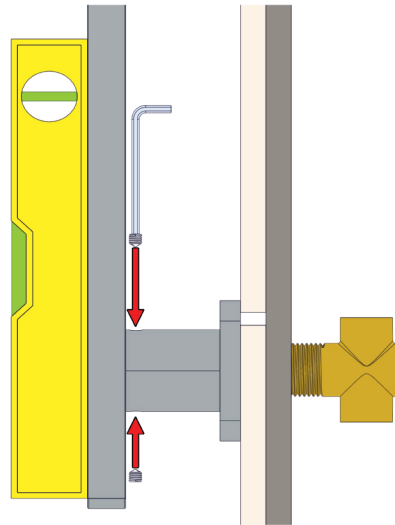
2



3



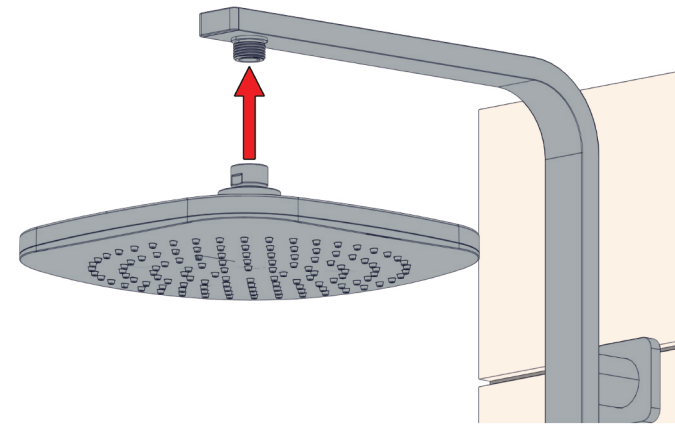
4



Insert Grub Screws into the Mounting Flange.

Ensure Shower Arm is level.

5



recommended working pressure

150-500KPa

maximum hot water temperature

75 degrees