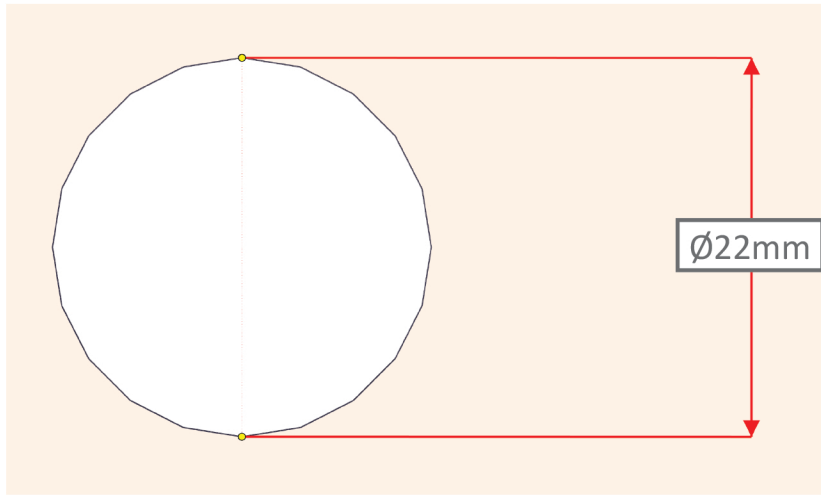
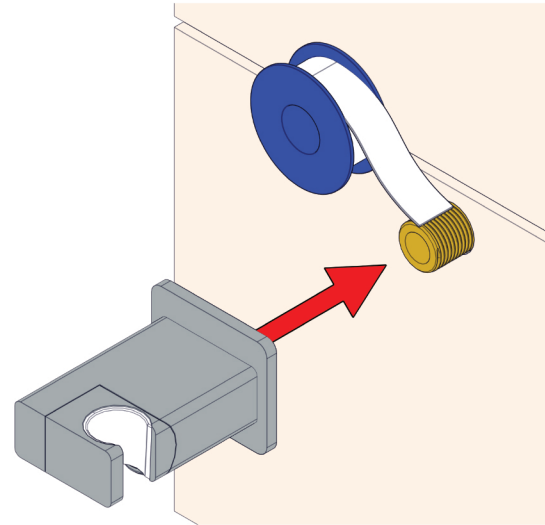


MEASUREMENTS

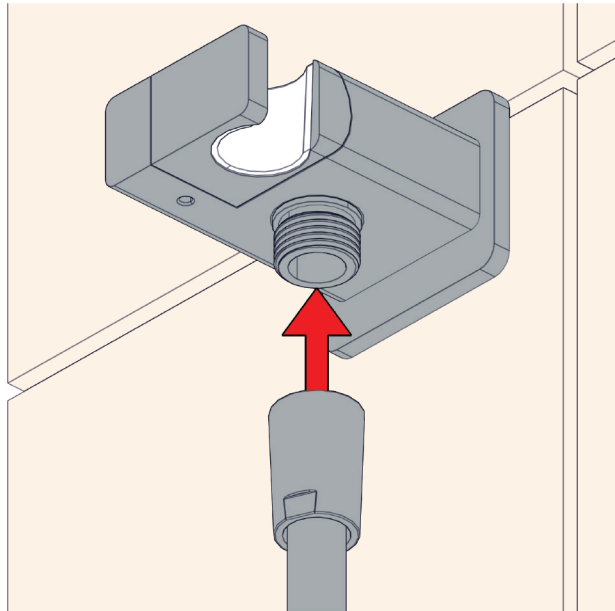


1

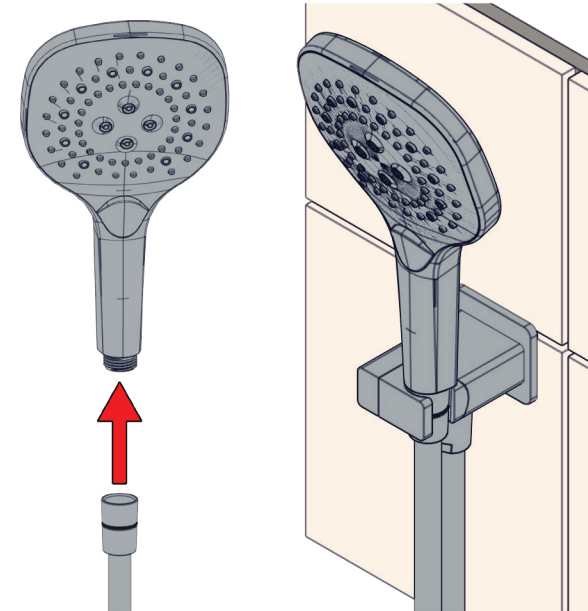


Apply teflon to wall thread and screw on Mounting Bracket.

2



3



recommended
working pressure
**150-
500KPa**
maximum hot
water temperature
**75
degrees**