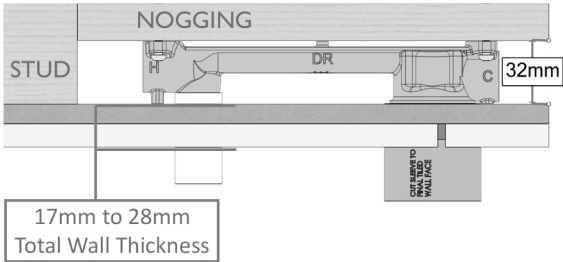


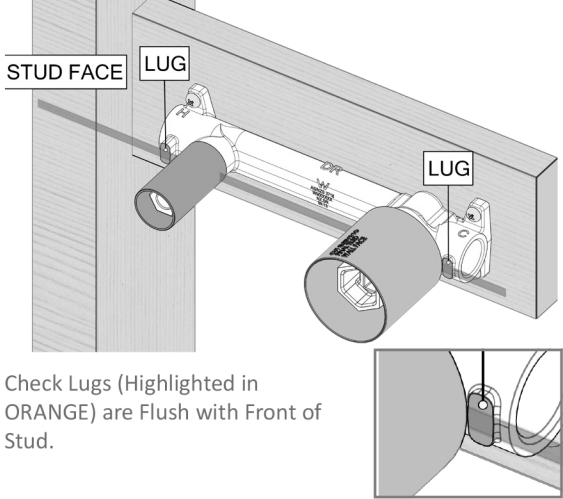
ADJUSTMENT RANGE



Range from the Nogging face to the Stud Face is 32mm as shown.

Adjustment range from the finished face of the tiles to the stud is 17mm to 28mm as shown.

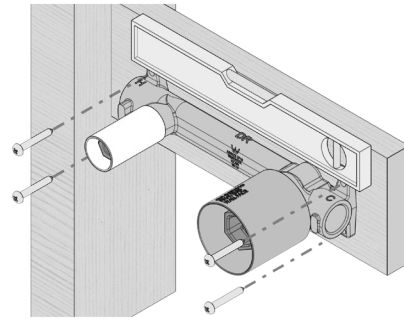
Check Wall Mixer Lugs are Flush to Stud to allow for installation of sheet and tiles



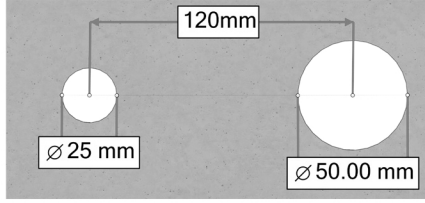
Check Lugs (Highlighted in ORANGE) are Flush with Front of Stud.

1 Screw the Mixer Breach onto Nogging to dimensions shown in adjustment range.

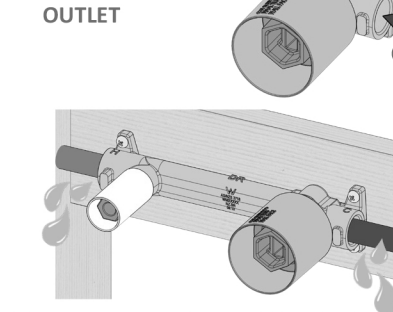
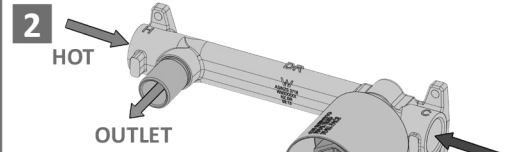
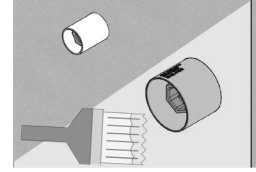
Ensure that the mixer body is level.



3 Check centre distance of the breach assembly is approx. 120mm. Create a 25mm hole and a 50mm hole on the sheet and tiles, as shown.

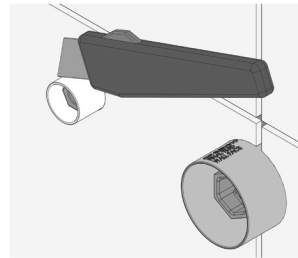


Apply waterproofing membrane up to Waterproofing Sleeve.

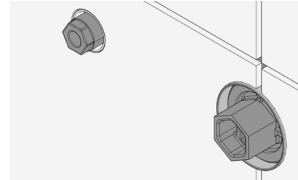


Ensure wall outlet fitting is capped. Perform **PRESSURE TEST** and check for leaks.

4 After Tiling use Knife to Trim Waterproofing Sleeves flush to Tile face.



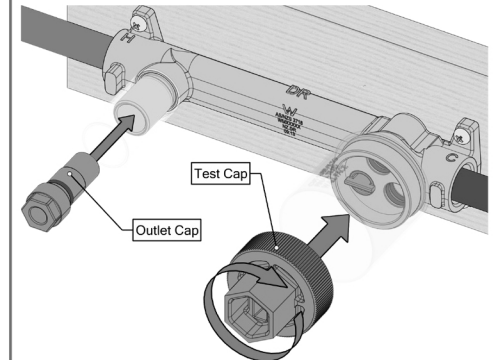
Switchmix ready for fit off (Order Trim Kit separately).



PRESSURE TESTING

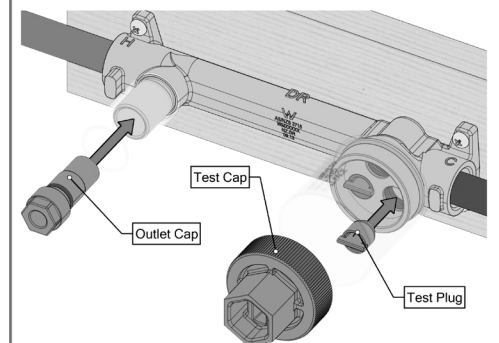
*Ensure Test Cap is installed correctly before performing pressure test.

! FOR STANDARD PRESSURE TESTING !
Up To 500Kpa



SwitchMix comes pre-installed with a Test Plug in the Hot Inlet only and a Test Cap.

! FOR HIGH PRESSURE TESTING !
500-1500Kpa



For high pressure testing of pipes, remove Test Cap and add another Test Plug into the Cold Inlet.

Re-attach Test Cap

recommended working pressure
150-500KPa

maximum hot water temperature
75 degrees