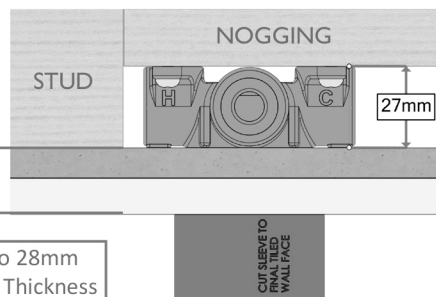


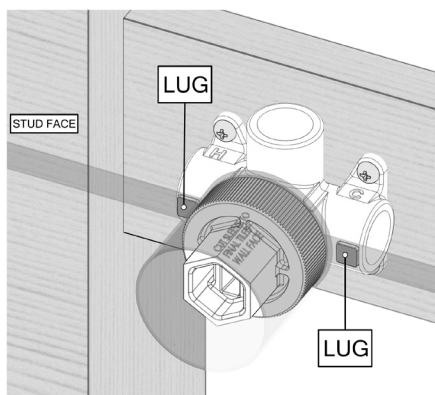
ADJUSTMENT RANGE



Range from the Nogging face to the Stud Face is 27mm as shown.

Adjustment range from the finished face of the tiles to the stud is 17mm to 28mm as shown.

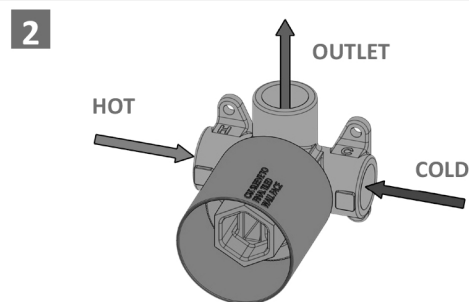
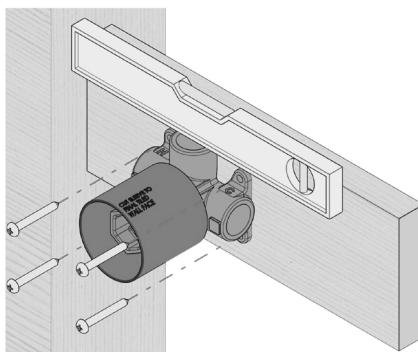
Check Wall Mixer Lugs are Flush to Stud to allow for installation of sheet and tiles



Check Lugs (Highlighted in ORANGE) are Flush with Front of Stud.

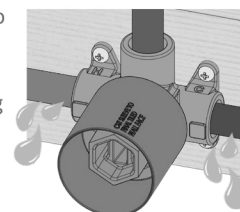
1 Screw the Mixer Breach onto Nogging to dimensions shown in adjustment range.

Ensure that the mixer body is level.



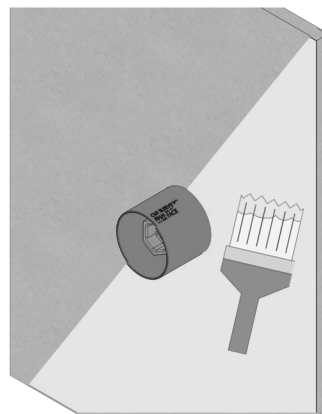
Plumb all connections to Mixer Body.

Ensure wall outlet fitting is capped. Perform **PRESSURE TEST** and check for leaks.

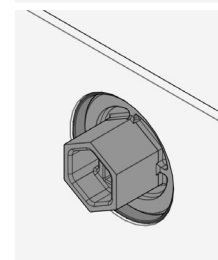
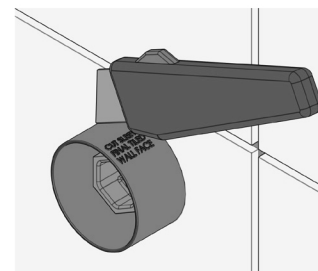


3 Create a 50mm diameter hole in the cement sheet or Plasterboard.

Apply waterproofing membrane up to Waterproofing Sleeve.



4 After Tiling use Knife to Trim Waterproofing Sleeve flush to Tile face.

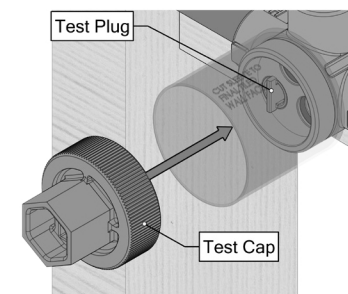


Switchmix ready for fit off (Order Trim Kit separately).

PRESSURE TESTING

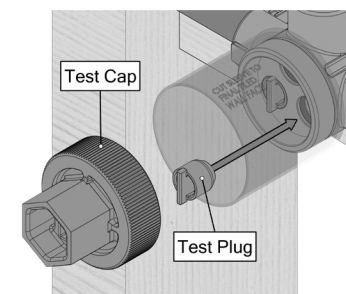
*Ensure Test Cap is installed correctly before performing pressure test.

! FOR STANDARD PRESSURE TESTING **!**
Up To 500Kpa



SwitchMix comes pre-installed with a Test Plug in the Hot Inlet only and a Test Cap.

! FOR HIGH PRESSURE TESTING **!**
500-1500Kpa



For high pressure testing of pipes, remove Test Cap and add another Test Plug into the Cold Inlet.

Re-attach Test Cap



recommended working pressure

150-500KPa

maximum hot water temperature

75 degrees

