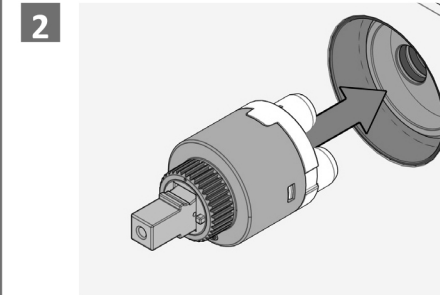


1 Remove Test Cap using a Flat Head Screw Driver or spanner.

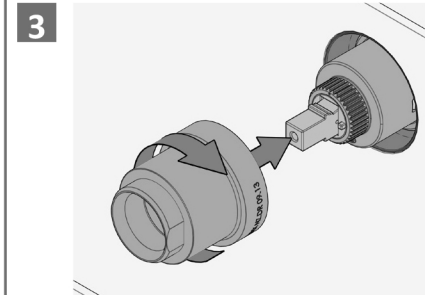
Ensure that no Test Plugs are in Body



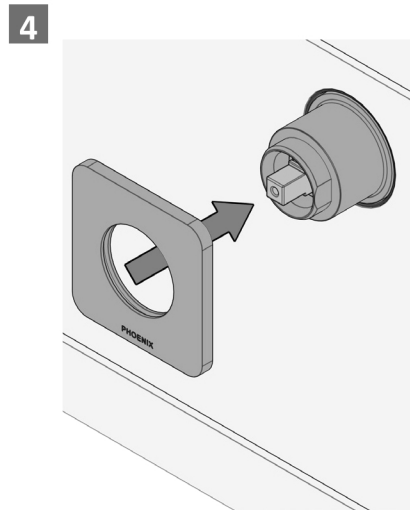
2 Add Grease or Soap to the three Cartridge legs.

Push Cartridge Gently Into Body

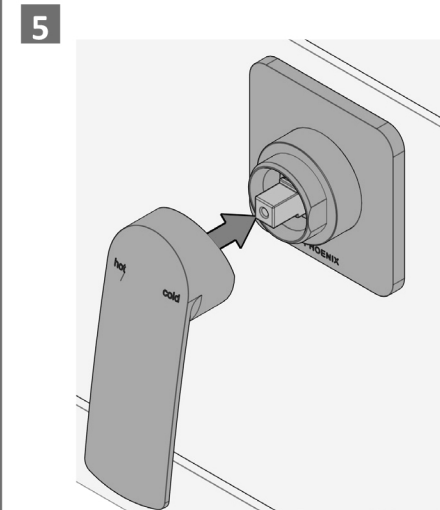
Ensure Correct Orientation. Cartridge Only Fits in One Orientation.



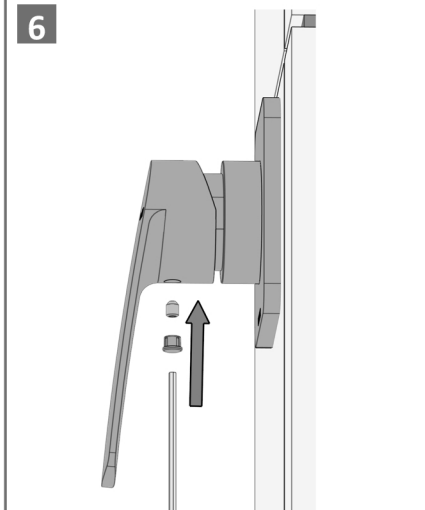
3 Firmly fasten Cartridge Sleeve to Mixer Body using a shifting spanner.



4 Push Dress Plate over Cartridge Locknut



5 Push Handle onto Cartridge.



6 Tighten Grub Screw and push in Cap to secure handle.



recommended working pressure
150-500KPa
 maximum hot water temperature
75 degrees