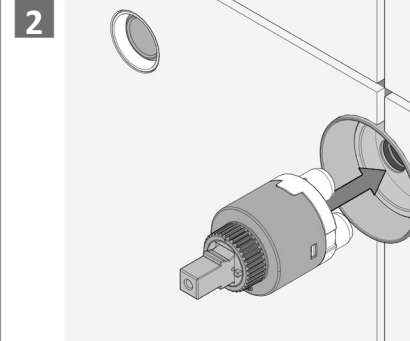
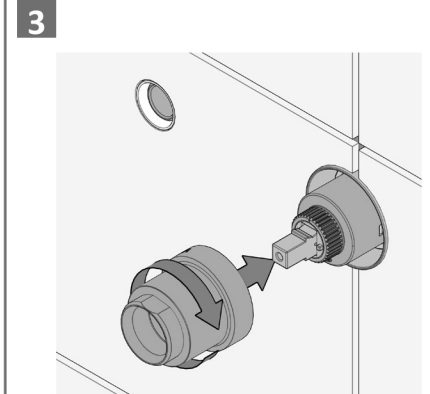


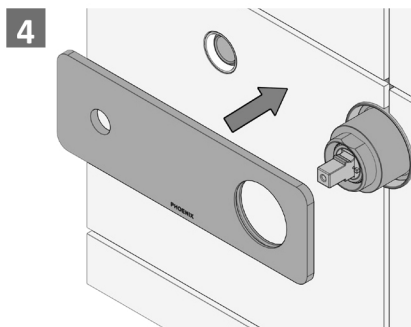
**1**  
Remove Test Caps with a flat head screwdriver or spanner.  
Ensure that no Test Plugs are in Body.



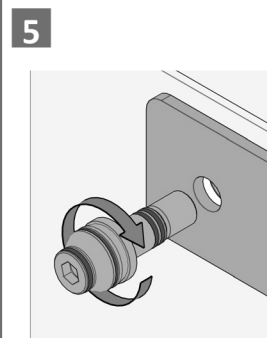
**2**  
Add grease or soap to Cartridge Legs. Push Cartridge gently into Body. Ensure correct orientation.  
Cartridge only fits in one orientation.



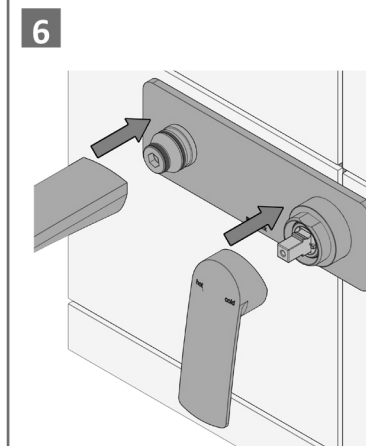
**3**  
Firmly fasten Cartridge Sleeve to Mixer Body using a shifting spanner.



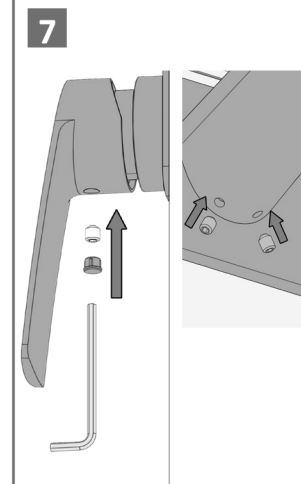
**4**  
Gently push Dress Plate over Wall Mixer Sleeve.



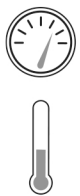
**5**  
Align outlet hole in wall with outlet hole in Dress Plate.  
Fasten Spout Adaptor through Dress Plate onto in-wall Mixer Body.



**6**  
Push on Spout and Handle as shown.



**7**  
Fasten grub screws firmly.



recommended working pressure  
**150-500KPa**  
maximum hot water temperature  
**75 degrees**