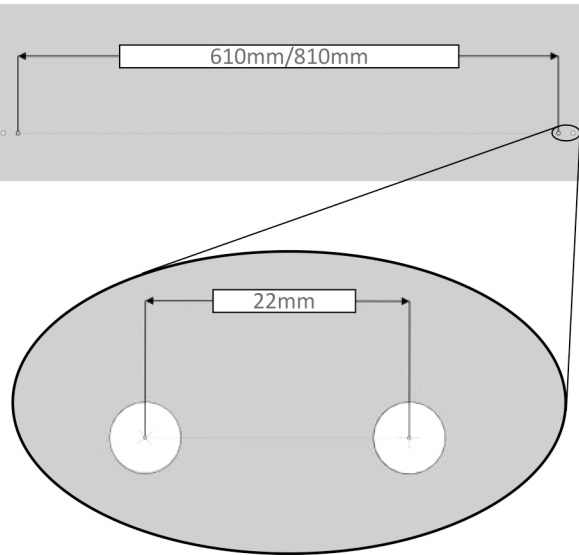
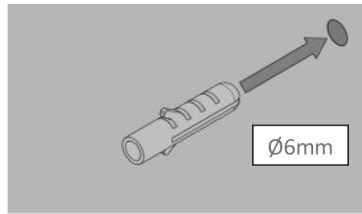


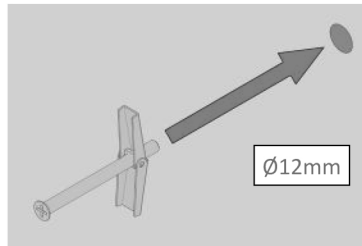
## MEASUREMENTS



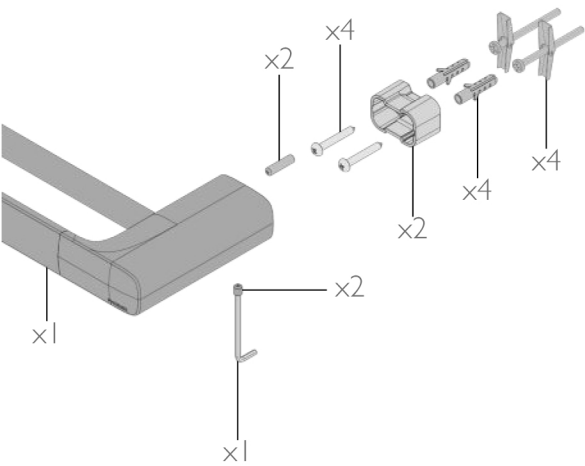
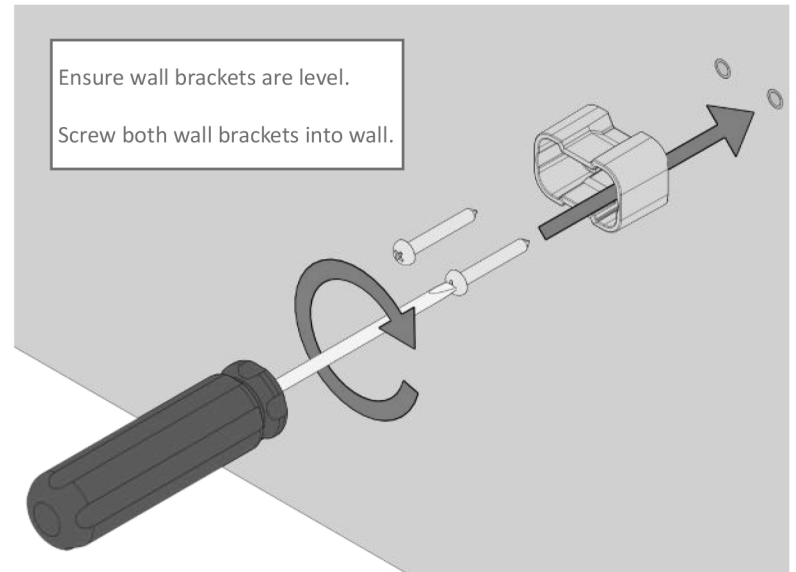
## Brick



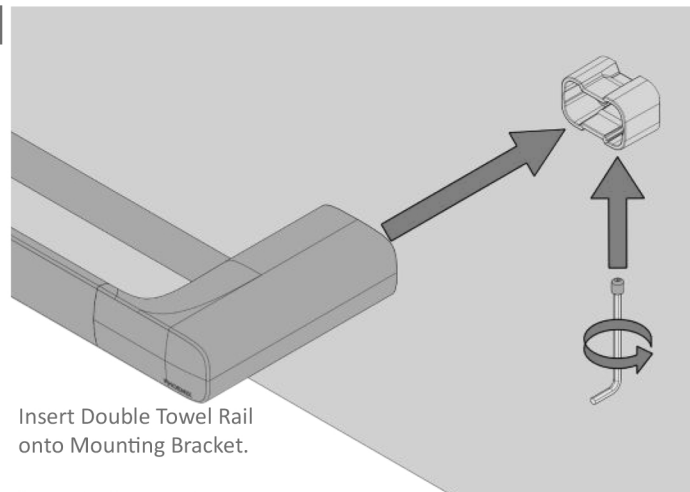
## Plaster



1



2



3

