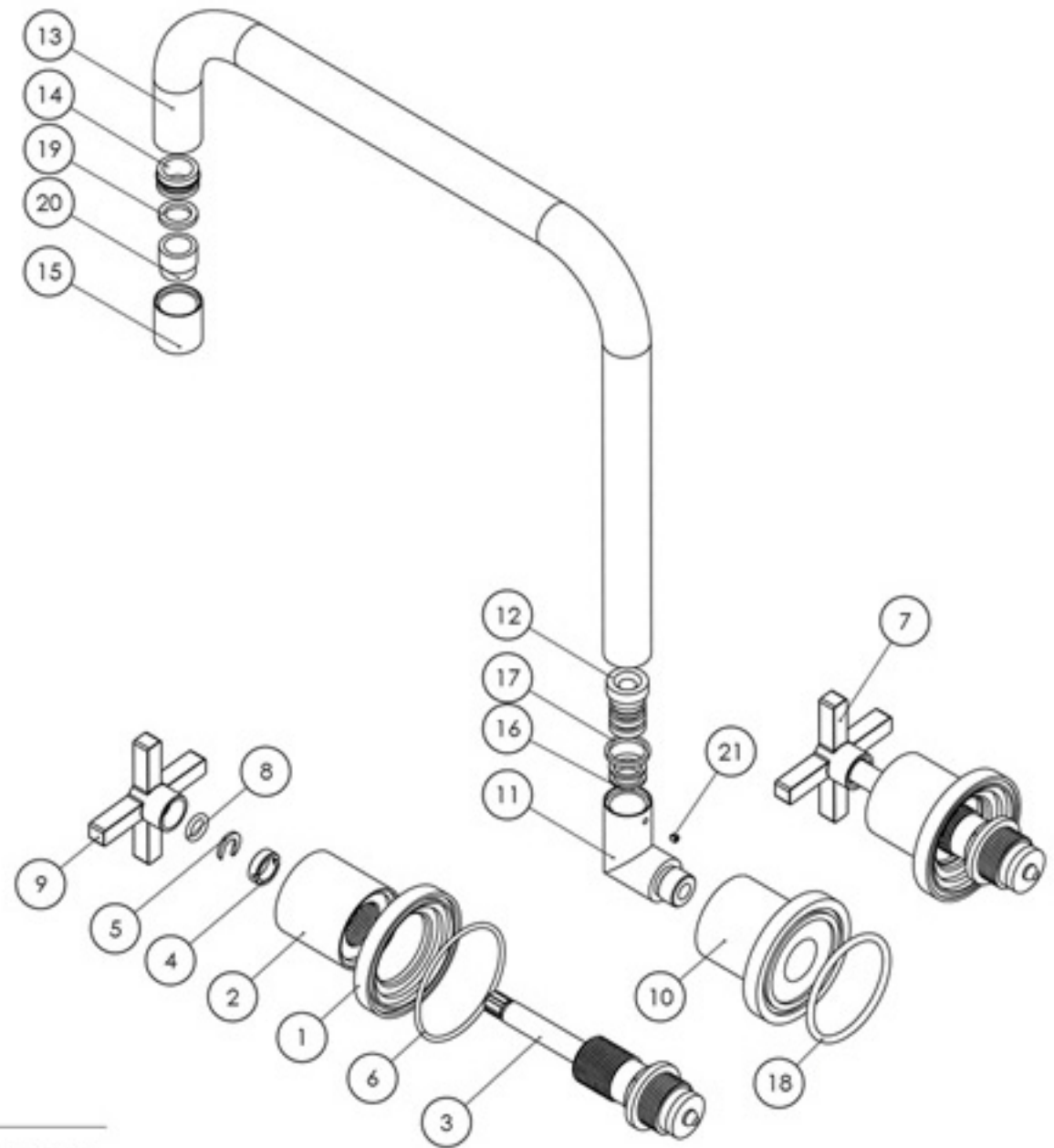


## PARTS LIST

1. WALL FLANGE
2. TOP BODY
3. BONNET
4. ANTI-VANDAL COLLET
5. C-CLIP
6. O-RING 48X2.0MM
7. HOT HANDLE
8. O-RING 8X2.0
9. COLD HANDLE
10. SPOUT FLANGE
11. SPOUT TAIL
12. SPOUT SWIVEL
13. SPOUT
14. NOZZLE ADAPTOR
15. NOZZLE RETAINER
16. O-RING 11X2.0MM
17. NYLON WASHER
18. O-RING 43X2.0MM
19. GASKET
20. AERATOR
21. GRUB SCREW



## MAINTENANCE AND CARE:

- All surfaces should be cleaned with mild liquid detergent or soap and water.
- Do not use cream cleaners or citrus based cleaning products, as they are abrasive.
- Use of unsuitable cleaning agents may damage the surface. Any damage caused in this way will not be covered by warranty.