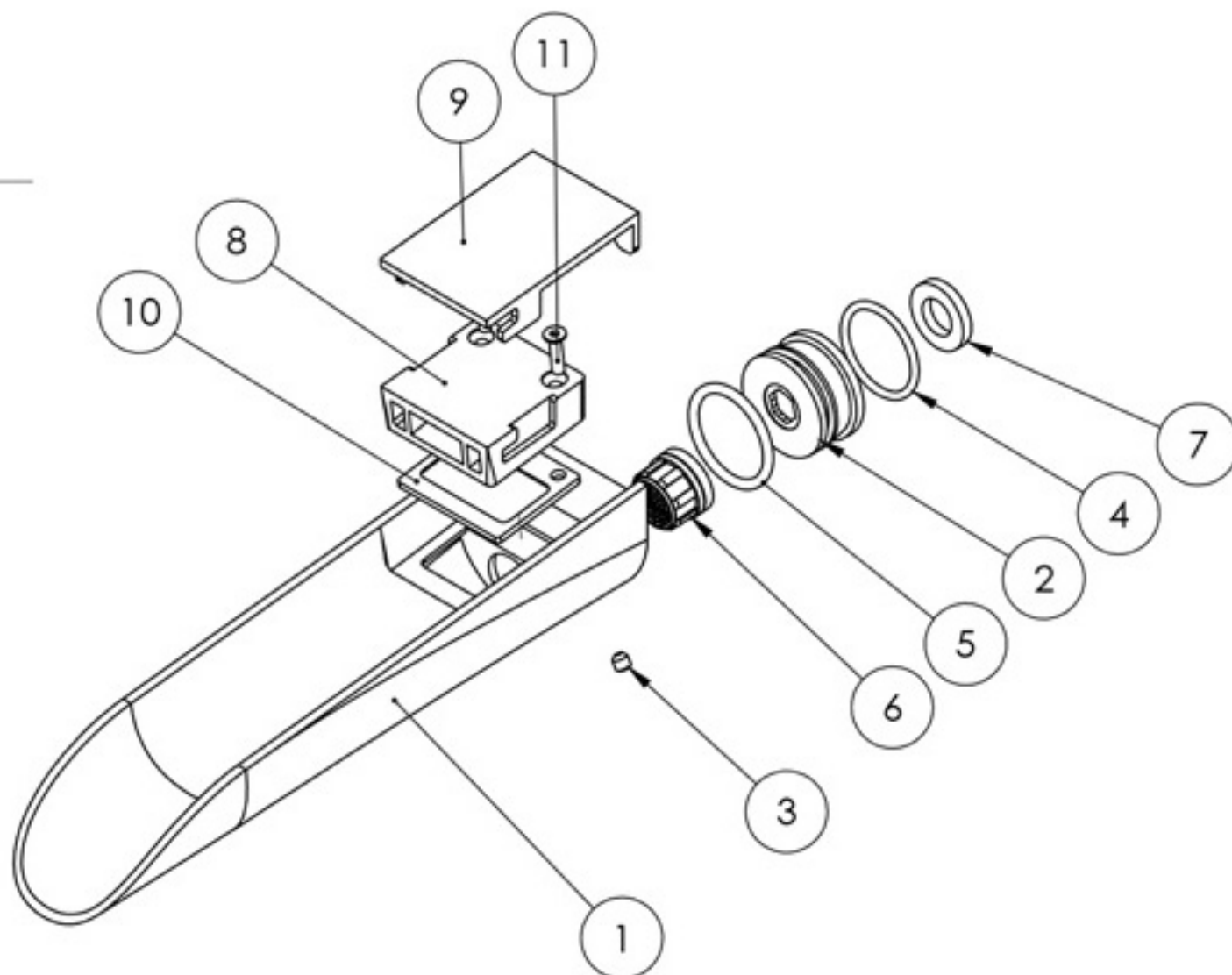


## PARTS LIST

---

1. WALL OUTLET
2. WALL ADAPTER
3. GRUB SCREW
4. O-RING 22X2.0MM
5. O-RING 23X2.5MM
6. AERATOR
7. WASHER
8. WATER FLOW
9. WATER FLOW COVER
10. SEAL BAFFLE
11. SCREW M3X12



## MAINTENANCE AND CARE:

---

- All surfaces should be cleaned with mild liquid detergent or soap and water.
- Do not use cream cleaners or citrus based cleaning products, as they are abrasive.
- Use of unsuitable cleaning agents may damage the surface. Any damage caused in this way will not be covered by warranty.