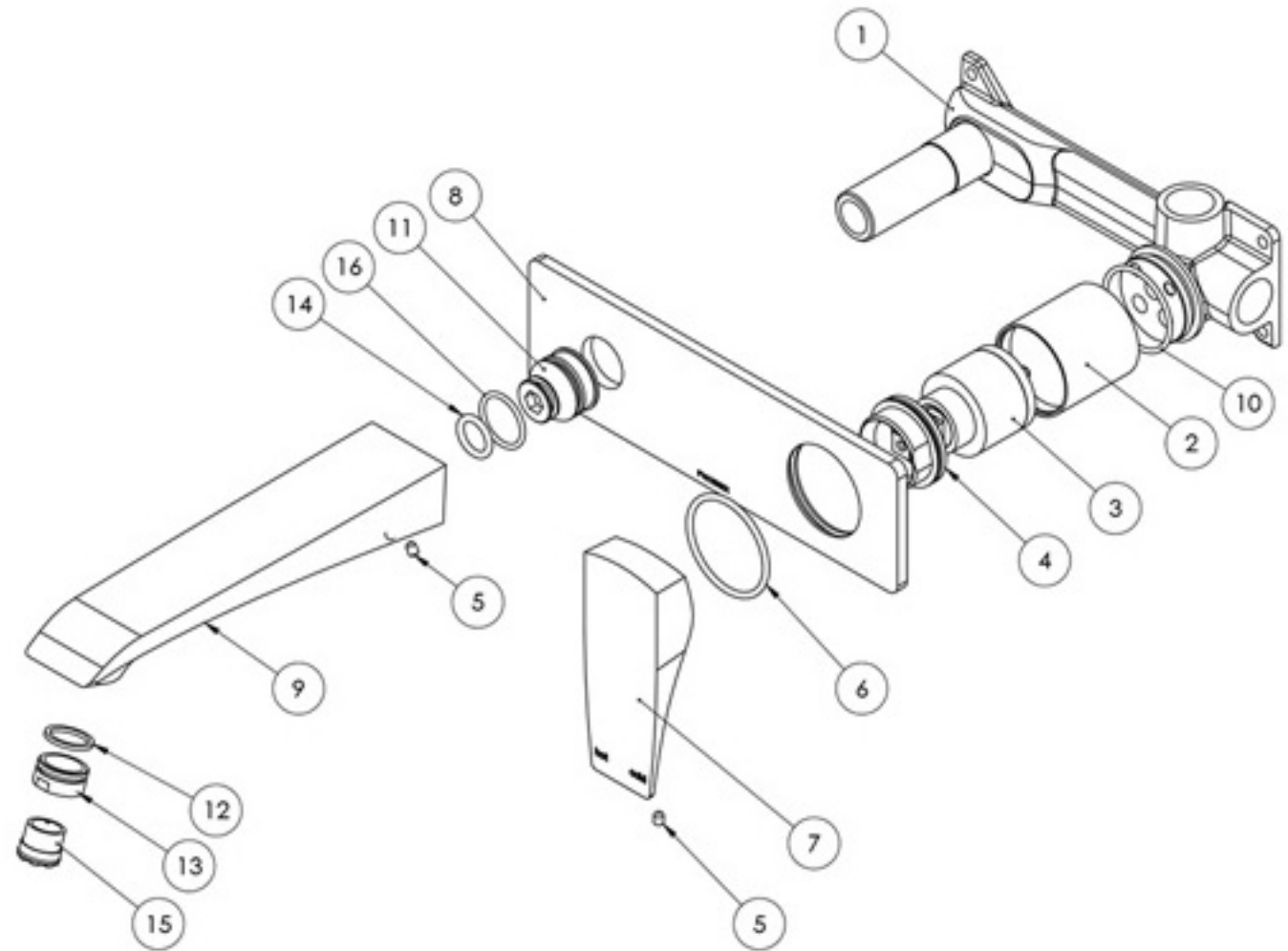


PARTS LIST

1. WALL BREACH
2. MIXER SLEEVE
3. 35MM CARTRIDGE
4. LOCKNUT DOME
5. GRUB SCREW M4X5MM
6. O-RING 39X2.5MM
7. MIXER HANDLE
8. BACKPLATE
9. SPOUT 180MM
10. O-RING 33X2.0MM
11. G1/2" SPOUT ADAPTER
12. AERATOR GASKET
13. AERATOR RETAINER
14. O-RING 13X2.7MM
15. AERATOR MAX FLOW
16. O-RING 20X2MM



MAINTENANCE AND CARE:

- All surfaces should be cleaned with mild liquid detergent or soap and water.
- Do not use cream cleaners or citrus based cleaning products, as they are abrasive.
- Use of unsuitable cleaning agents may damage the surface. Any damage caused in this way will not be covered by warranty.