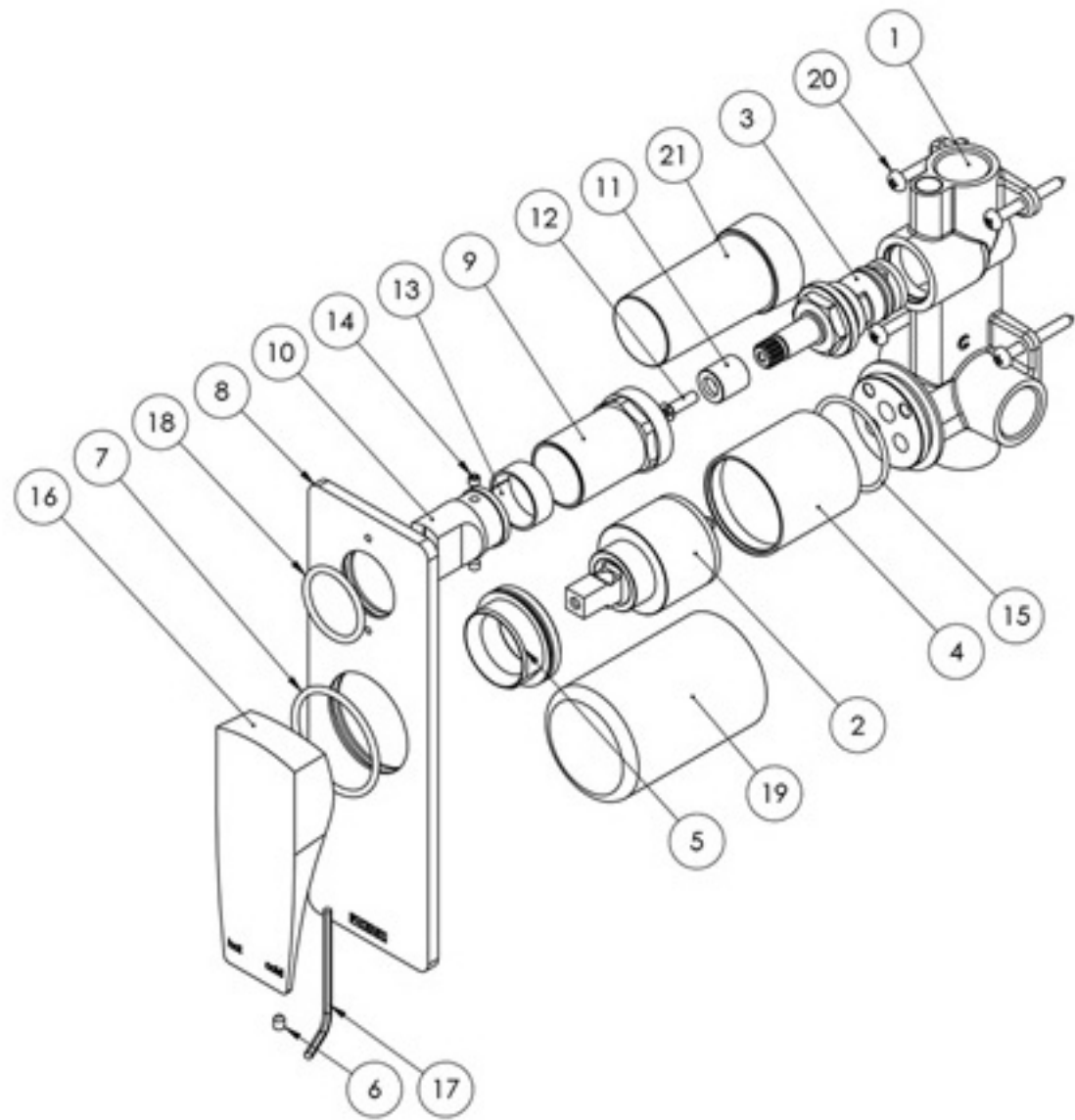


PARTS LIST

1. BREACH
2. 35MM CARTRIDGE
3. BRASS DIVERter CARTRIDGE
4. MIXER SLEEVE
5. LOCK NUT DOME
6. GRUB SCREW M4X5
7. O-RING 43X2.5
8. BACK PLATE
9. ROTARY DIVERter SLEEVE
10. ROTARY DIVERter BUTTON
11. ROTARY DIVERter SPLINDLE ADAPTER
12. SCREW
13. NYLON BEARING
14. GRUB SCREW M4X4
15. O-RING 33X2.0MM
16. MIXER HANDLE
17. ALLEN KEY
18. O-RING 25X2.5MM
19. MIXER SLEEVE
20. SCREW
21. DIVERter SLEEVE



MAINTENANCE AND CARE:

- All surfaces should be cleaned with mild liquid detergent or soap and water.
- Do not use cream cleaners or citrus based cleaning products, as they are abrasive.
- Use of unsuitable cleaning agents may damage the surface. Any damage caused in this way will not be covered by warranty.