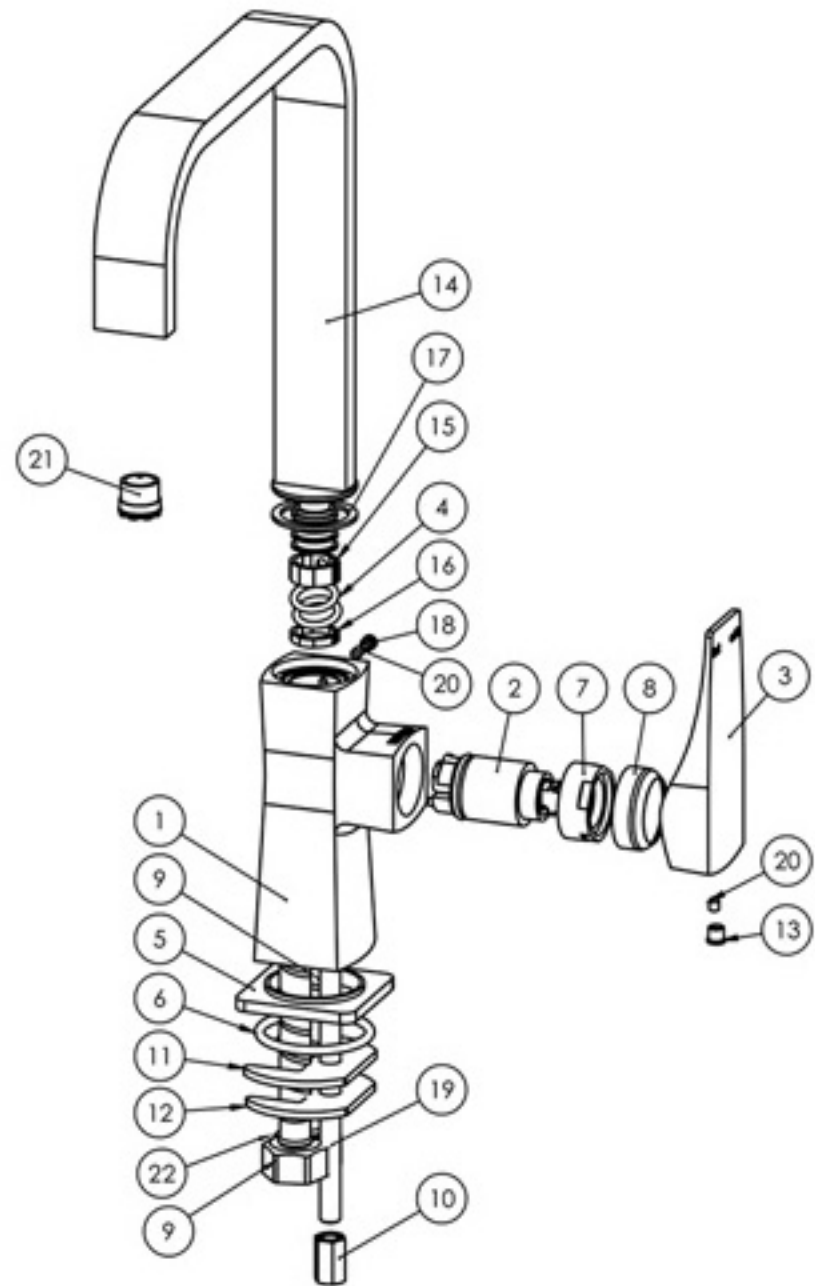


## PARTS LIST

1. MIXER BODY
2. 25MM CARTRIDGE
3. MIXER HANDLE
4. O-RING 13.8X2.7MM
5. DRESS PLATE
6. O-RING 46X3.5MM
7. MIXER LOCKNUT
8. MIXER DOME
9. FLEXIBLE HOSE 450MM HOT
10. M8 NUT
11. RUBBER FIXING PLATE
12. FIXING PLATE
13. SCREW CAP M5
14. SQUARELINE SPOUT
15. SPOUT BEARING
16. SPOUT BEARING
17. NYLON SPOUT RING
18. RUBBER SCREW CAP M4
19. M8 THREADED ROD
20. GRUB SCREW
21. AERATOR
22. FLEXIBLE HOSE 450MM COLD



## MAINTENANCE AND CARE:

- All surfaces should be cleaned with mild liquid detergent or soap and water.
- Do not use cream cleaners or citrus based cleaning products, as they are abrasive.
- Use of unsuitable cleaning agents may damage the surface. Any damage caused in this way will not be covered by warranty.