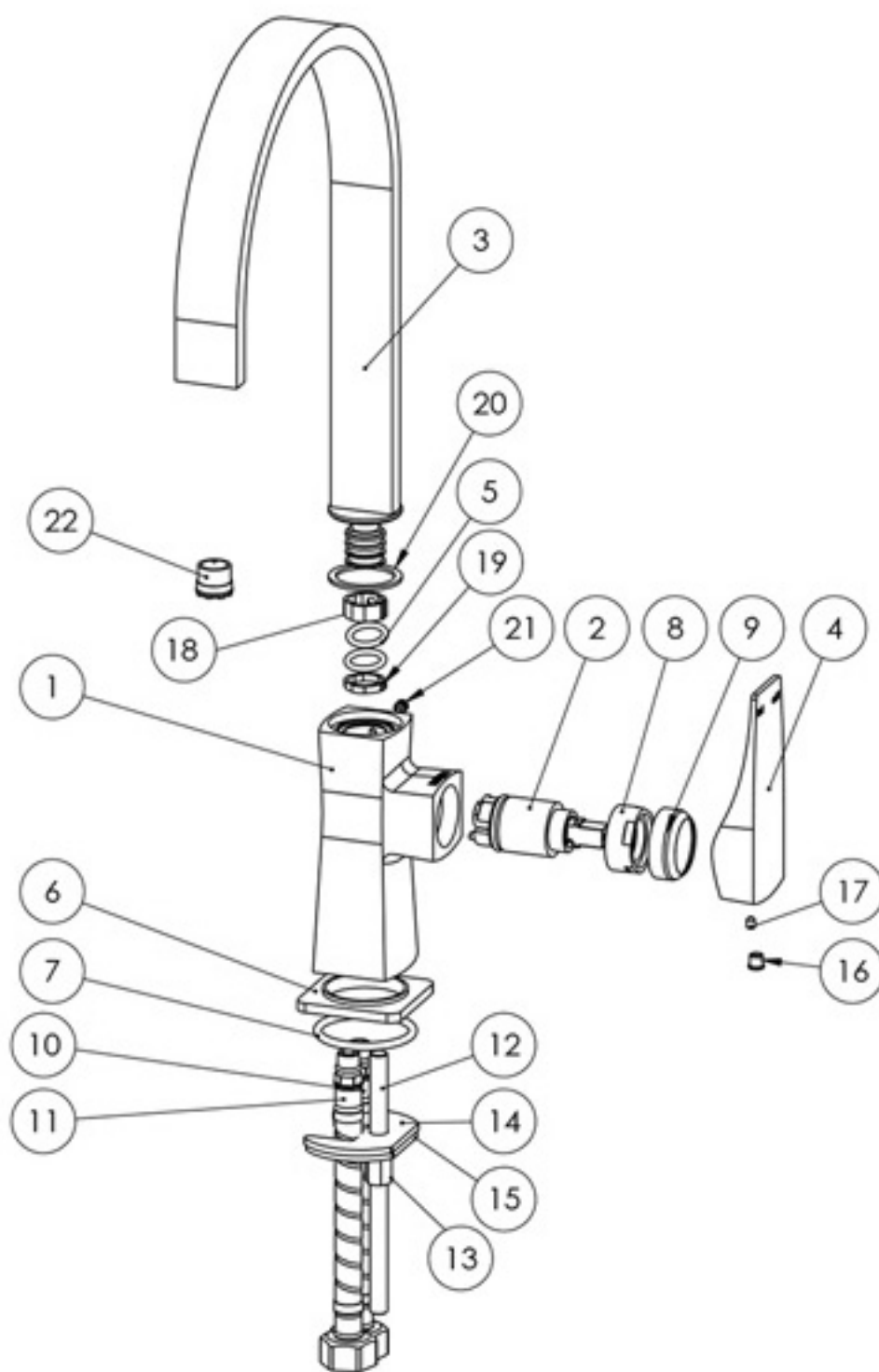


## PARTS LIST

1. MIXER BODY
2. 25MM CARTRIDGE
3. SPOUT
4. MIXER HANDLE
5. O-RING 13.8X2.7
6. SINK MIXER PLATE
7. O-RING 46X3.5
8. MIXER LOCKNUT
9. MIXER DOMME
10. FLEXIBLE HOSE 450MM COLD
11. FLEXIBLE HOSE 450MM HOT
12. M8X125MM THREADED ROD
13. M8 NUT
14. FIXING PLATE RUBBER
15. FIXING PLATE
16. SCREW CAP M5
17. GRUB SCREW M4X5
18. SPOUT BEARING LARGE
19. SPOUT BEARING SMALL
20. SPOUT NYLON RING
21. RUBBER SCREW CAP M4 FLAT
22. AERATOR



## MAINTENANCE AND CARE:

- All surfaces should be cleaned with mild liquid detergent or soap and water.
- Do not use cream cleaners or citrus based cleaning products, as they are abrasive.
- Use of unsuitable cleaning agents may damage the surface. Any damage caused in this way will not be covered by warranty.