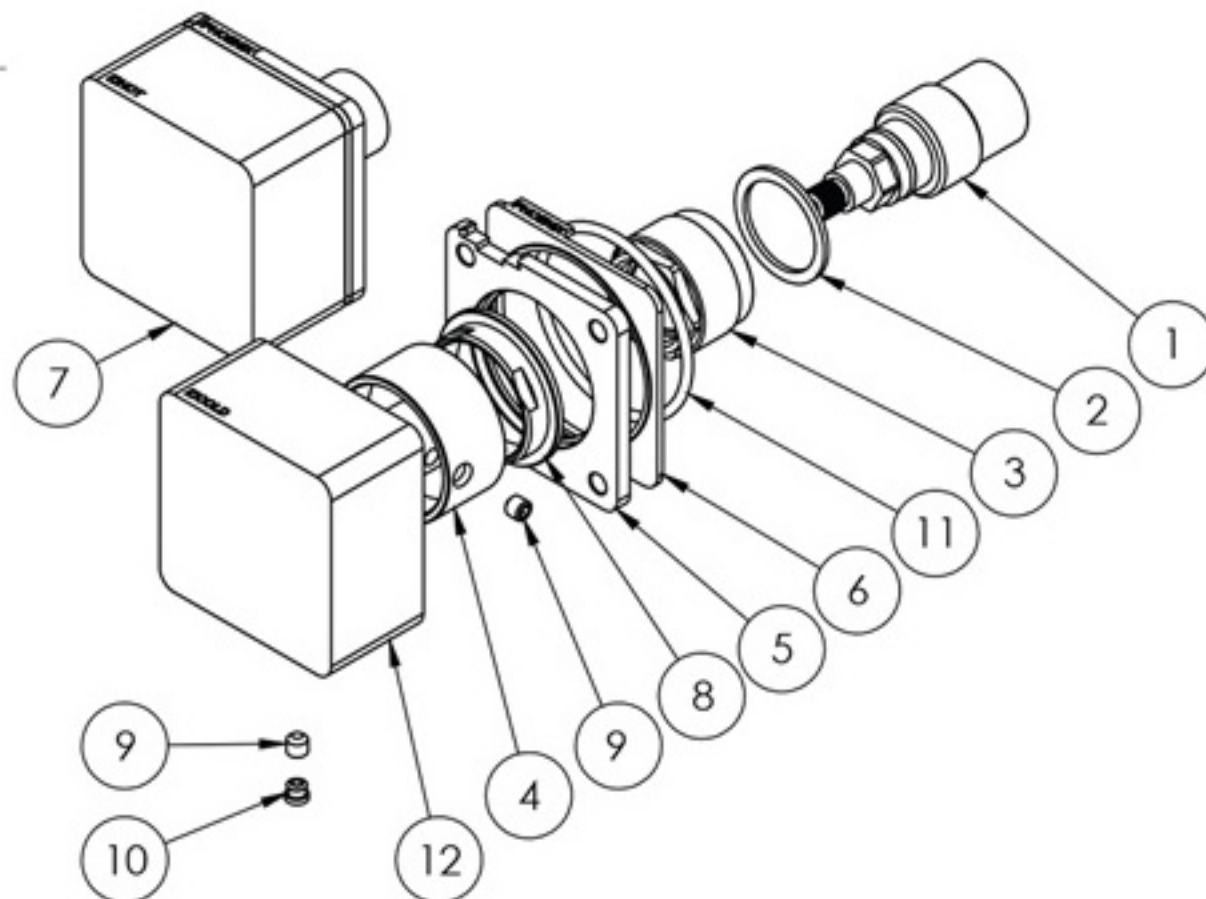


## PARTS LIST

1. 7.1MM CARTRIDGE
2. FIBER WASHER
3. LOCKNUT
4. SPINDLE ADAPTOR
5. BACKPLATE
6. DRESS PLATE
7. TAP HANDLE HOT
8. TAP LOCKNUT
9. GRUB SCREW M5X5
10. GRUB SCREW CAP
11. O-RING 45X2.5MM
12. TAP HANDLE COLD



## MAINTENANCE AND CARE:

- All surfaces should be cleaned with mild liquid detergent or soap and water.
- Do not use cream cleaners or citrus based cleaning products, as they are abrasive.
- Use of unsuitable cleaning agents may damage the surface. Any damage caused in this way will not be covered by warranty.