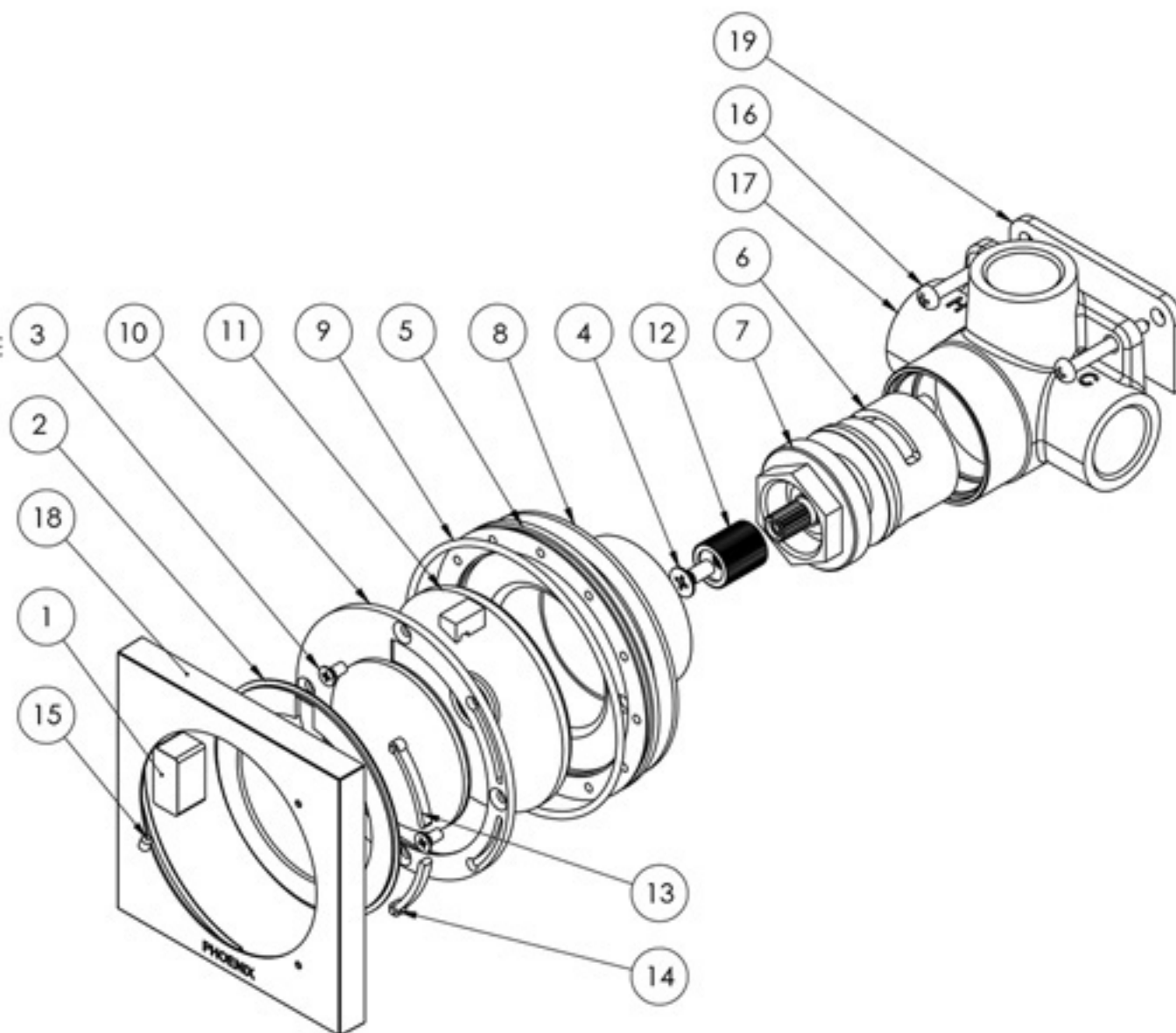


PARTS LIST

1. LEVER HANDLE
2. OUTER RING
3. SCREW M3X6
4. SCREW M4X10
5. ADJUSTMEN FLANGE
6. 33MM PROGRESSIVE CARTRIDGE
7. MIXER LOCKNUT
8. FLANGE GASKET
9. O-RING
10. MOUNTING DISK
11. INNER RING
12. SPLINED CAP
13. INDICATOR BLUE
14. INDICATOR RED
15. GRUB SCREW M3X4
16. SCREW M3.5X30
17. MIXER BODY
18. DRESS PLATE
19. ADJUSTMENT PAD



MAINTENANCE AND CARE:

- All surfaces should be cleaned with mild liquid detergent or soap and water.
- Do not use cream cleaners or citrus based cleaning products, as they are abrasive.
- Use of unsuitable cleaning agents may damage the surface. Any damage caused in this way will not be covered by warranty.