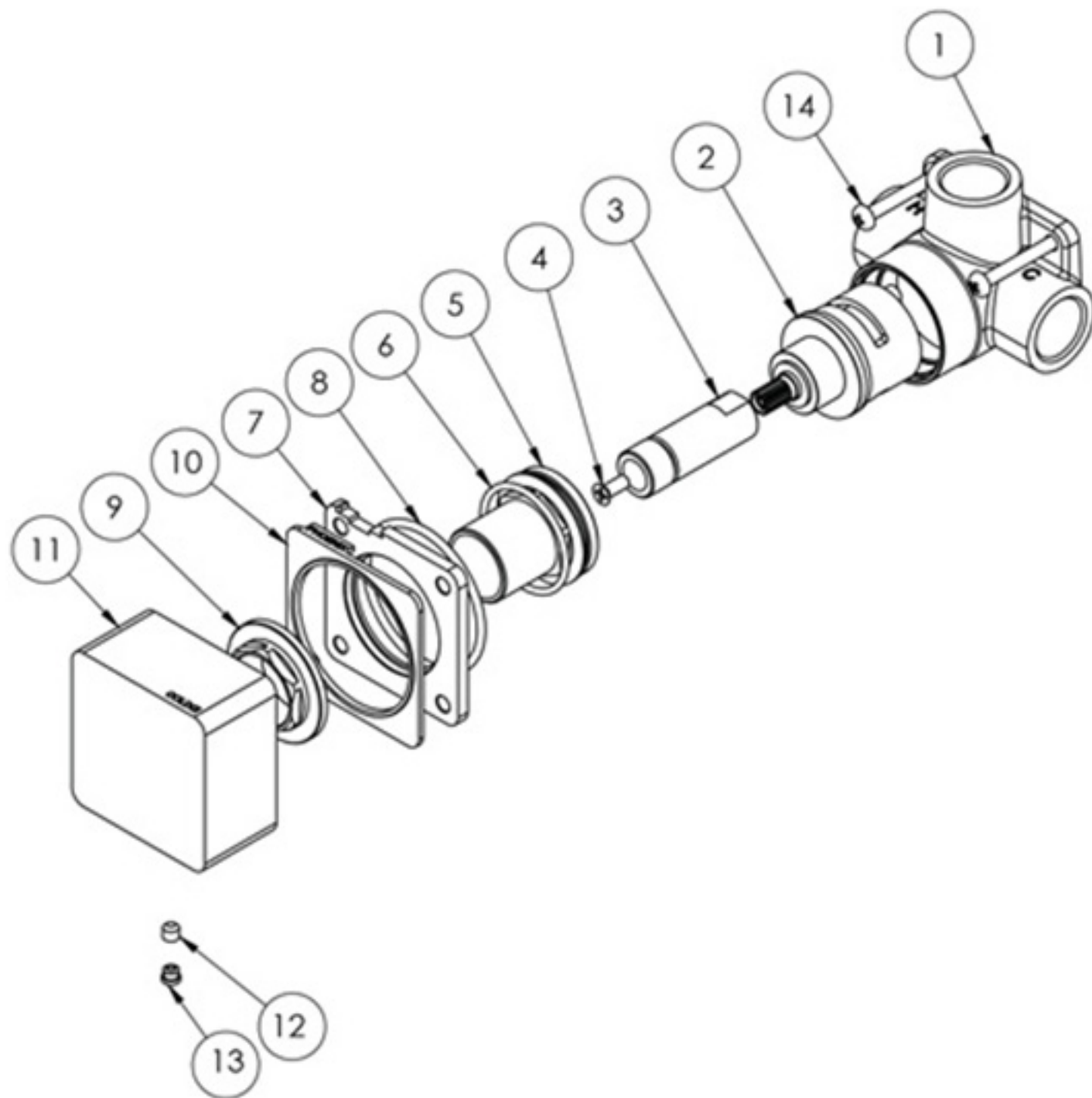


PARTS LIST

1. WALL MIXER BODY
2. 33MM PROGRESSIVE CARTRIDGE
3. SPINDLE EXTENSION
4. SCREW
5. CARTRIDGE LOCKNUT
6. O-RING 32X2.0MM
7. DRESS PLATE
8. O-RING 45 X2.5MM
9. MIXER LOCKNUT
10. PLASTIC SPACER
11. MIXER HANDLE
12. GRUB SCREW M5X5
13. GRUB SCREW CAP
14. SCREW



MAINTENANCE AND CARE:

- All surfaces should be cleaned with mild liquid detergent or soap and water.
- Do not use cream cleaners or citrus based cleaning products, as they are abrasive.
- Use of unsuitable cleaning agents may damage the surface. Any damage caused in this way will not be covered by warranty.