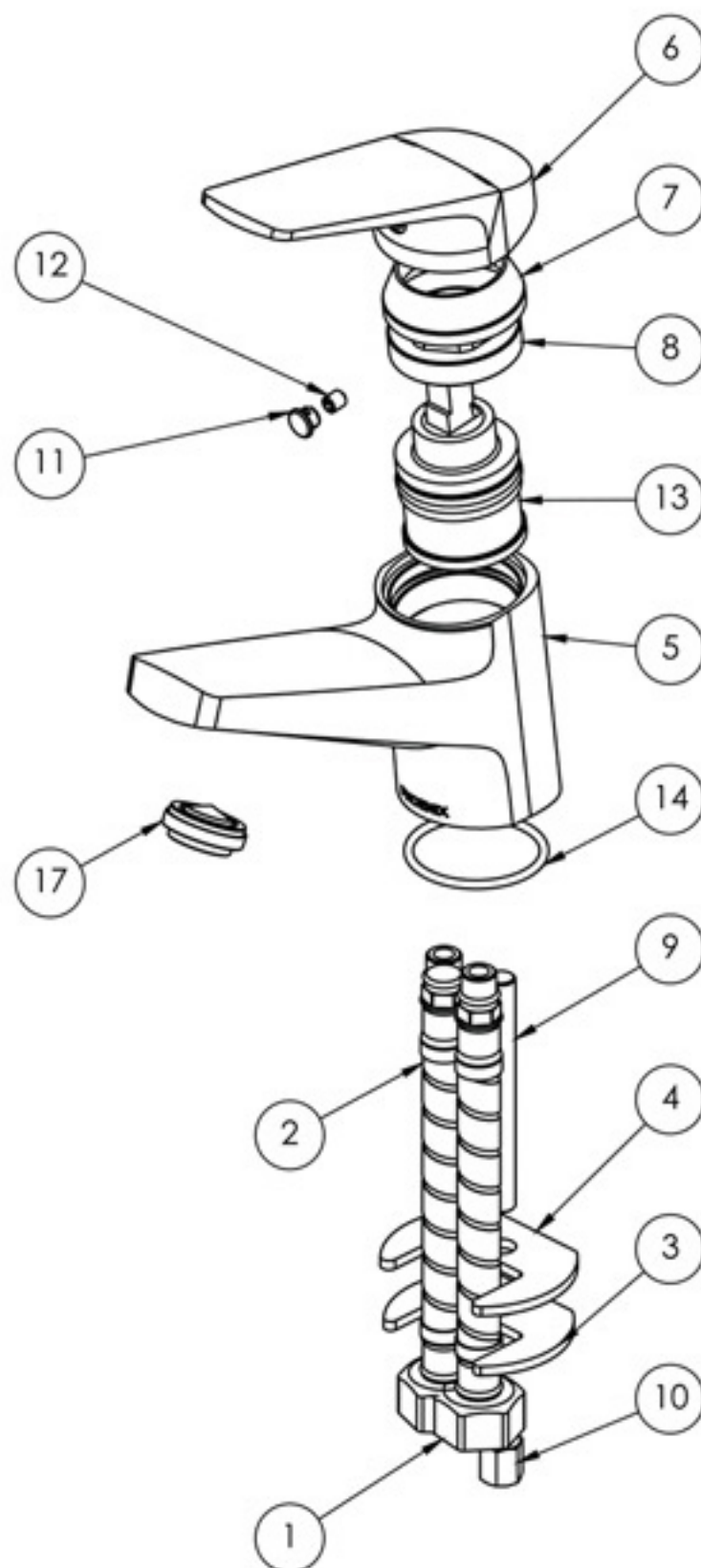


PARTS LIST

1. FLEXIBLE HOSE 350MM COLD
2. FLEXIBLE HOSE 350MM HOT
3. FIXING PLATE
4. RUBBER GASKET
5. MIXER BODY
6. MIXER HANDLE
7. MIXER DOME
8. MIXER LOCKNUT
9. THREADED ROD M8X75MM
10. THREADED NUT
11. SCREW CAP
12. GRUB SCREW M5X6
13. 35MM CARTRIDGE
14. O-RING 36X2.5MM
15. ALLEN KEY
16. AERATOR KEY
17. AERATOR



MAINTENANCE AND CARE:

- All surfaces should be cleaned with mild liquid detergent or soap and water.
- Do not use cream cleaners or citrus based cleaning products, as they are abrasive.
- Use of unsuitable cleaning agents may damage the surface. Any damage caused in this way will not be covered by warranty.