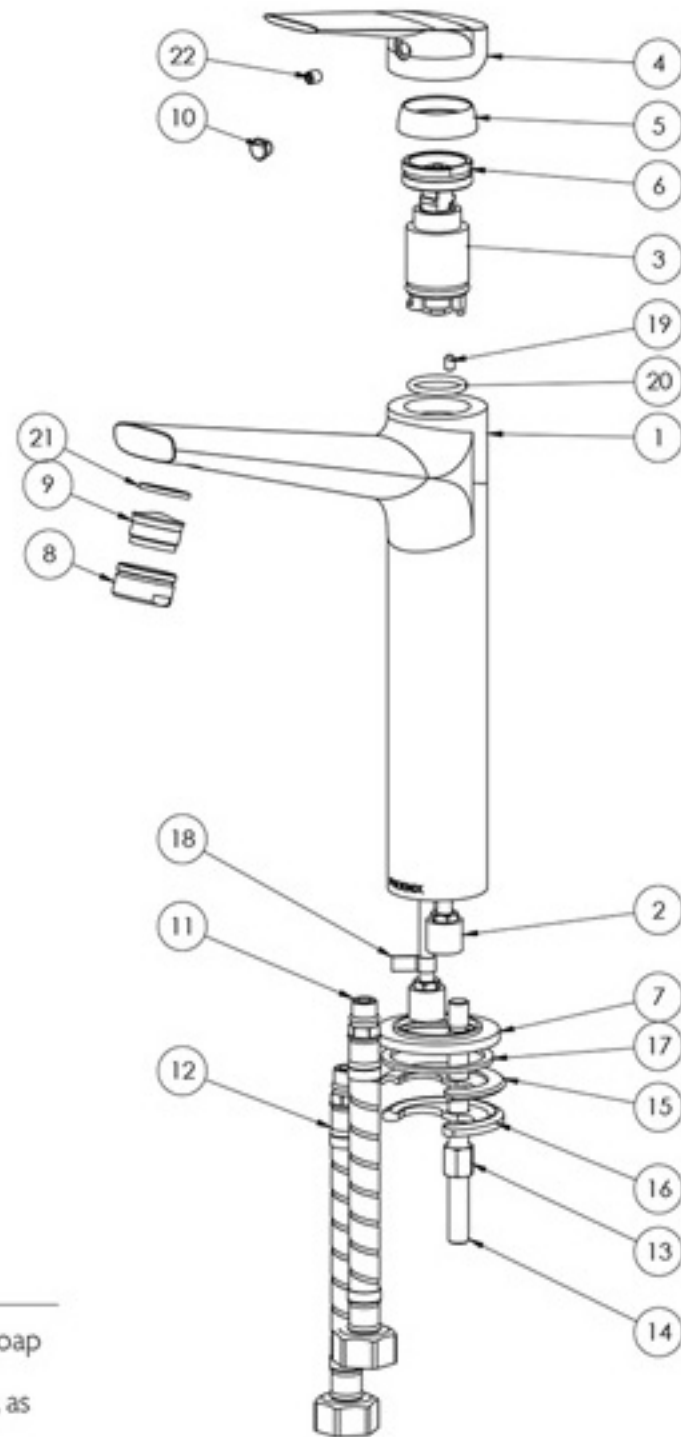


PARTS LIST

1. MIXER BODY
2. CARTRIDGE SEAT
3. 25MM CARTRIDGE
4. MIXER HANDLE
5. MIXER DOME
6. MIXER LOCKNUT
7. DRESS RING
8. RETAINER
9. AERATOR
10. SCREW CAP
11. FLEXIBLE HOSE 450MM COLD
12. FLEXIBLE HOSE 450MM HOT
13. M8 THREADED NUT
14. M8 THREADED ROD
15. MOUNTING PLATE
16. MOUNTING GASKET
17. RUBBER WASHER
18. INDICATOR TAPE
19. GRUB SCREW M4X6
20. O-RING 19X2.5
21. AERATOR
22. GRUB SCREW M5X6



MAINTENANCE AND CARE:

- All surfaces should be cleaned with mild liquid detergent or soap and water.
- Do not use cream cleaners or citrus based cleaning products, as they are abrasive.
- Use of unsuitable cleaning agents may damage the surface. Any damage caused in this way will not be covered by warranty.