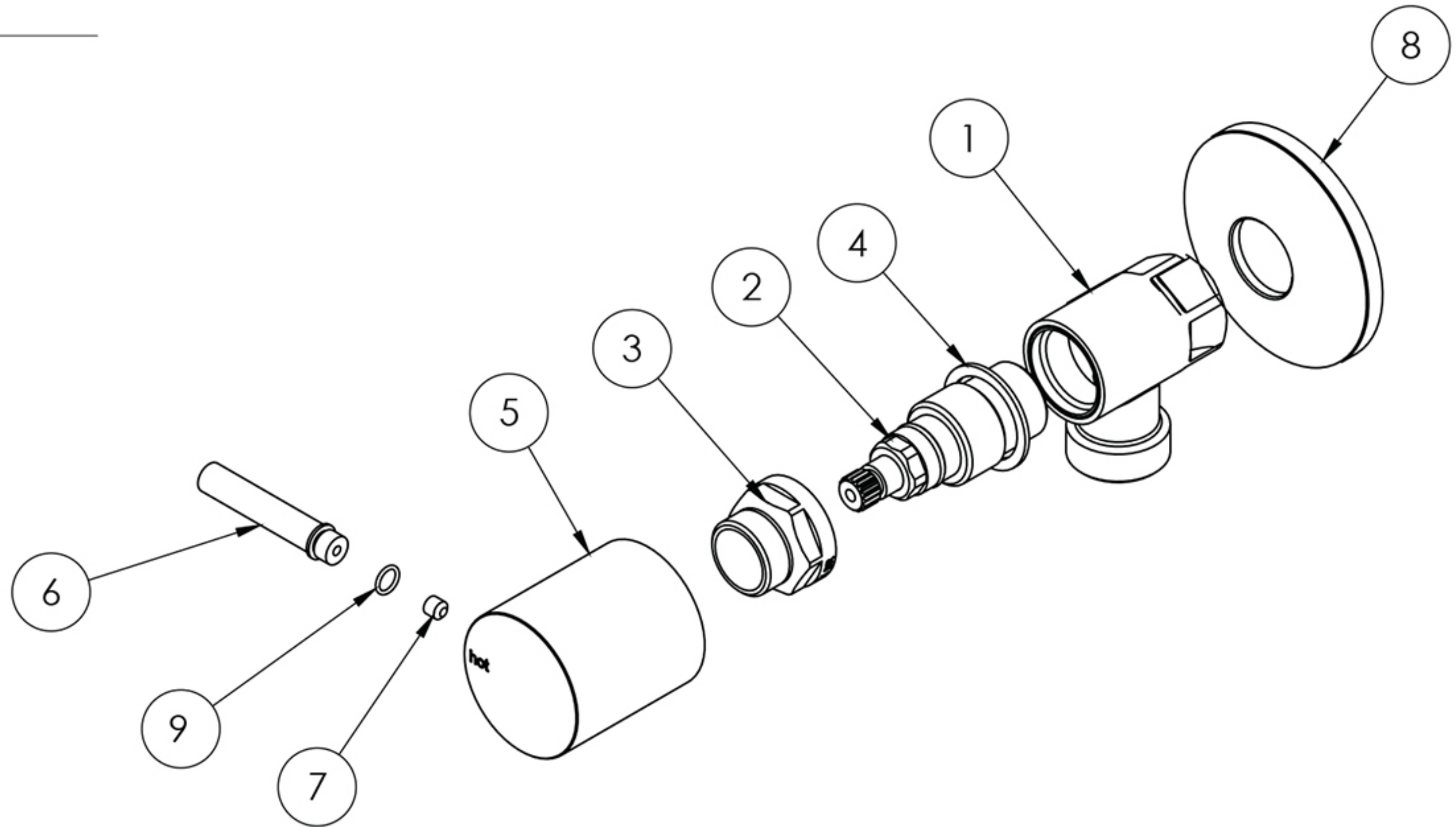


PARTS LIST

1. STOP BODY
2. SPINDLE
3. BONNET
4. FIBER WASHER
5. HANDLE BODY
6. PIN LEVER
7. GRUB SCREW M5X5
8. DRESS PLATE
9. O-RING 6X1.0MM



MAINTENANCE AND CARE:

- All surfaces should be cleaned with mild liquid detergent or soap and water.
- Do not use cream cleaners or citrus based cleaning products, as they are abrasive.
- Use of unsuitable cleaning agents may damage the surface. Any damage caused in this way will not be covered by warranty.

PACKAGING INCLUDES

- 1 x Hot washing machine stop
- 1 x Cold washing machine stop
- 1 x Installation kit
- 1 x Installation instructions
- 1 x Warranty card