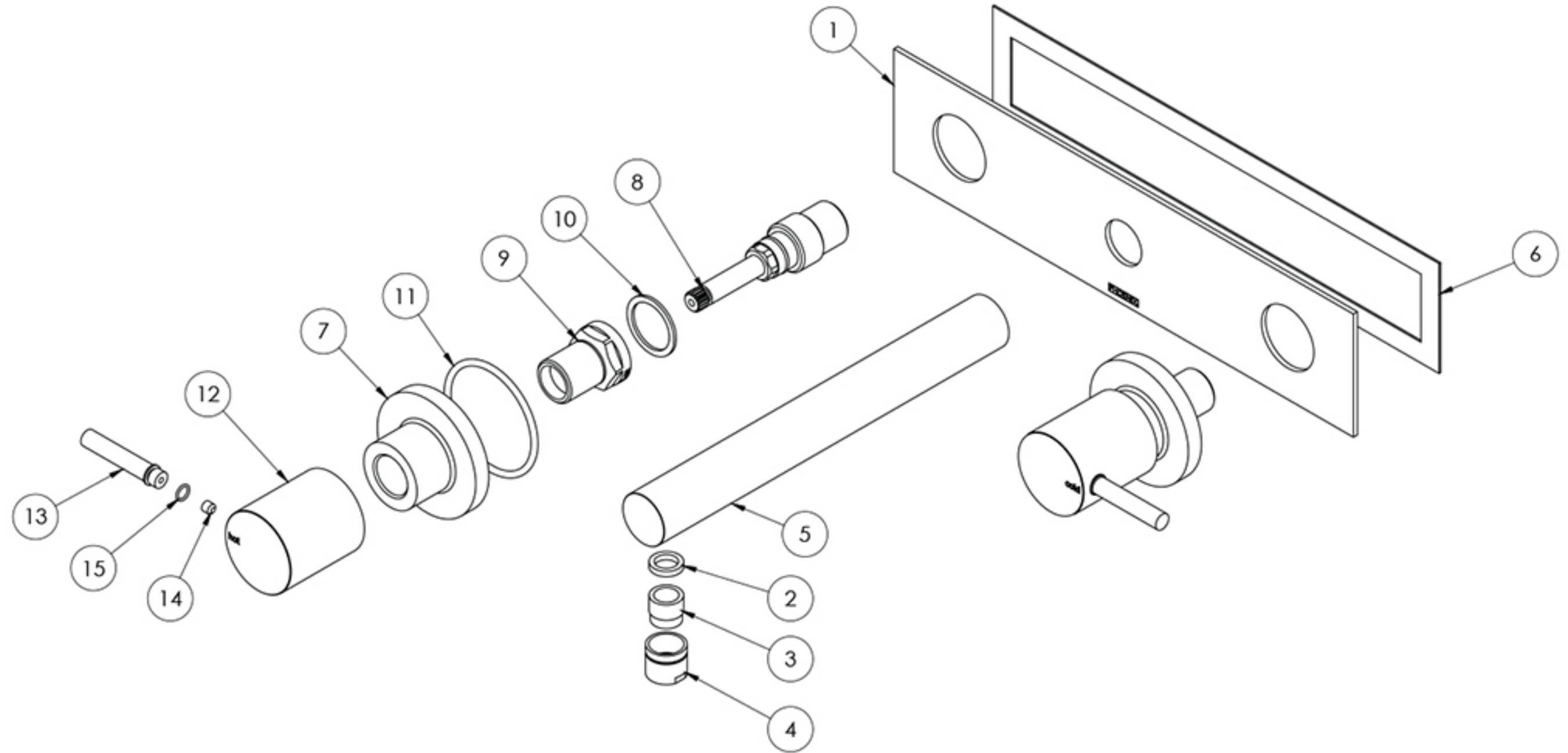


PARTS LIST

1. WALL PLATE
2. GASKET
3. AERATOR
4. AERATOR RETAINER
5. SPOUT
6. ADHESIVE BACKING
7. FLANGE
8. SPLINE
9. BONNET
10. FIBER WASHER
11. O-RING 50X3.0MM
12. HANDLE BODY
13. PIN LEVER
14. GRUB SCREW M5X5
15. O-RING 6X1.0MM



MAINTENANCE AND CARE:

- All surfaces should be cleaned with mild liquid detergent or soap and water.
- Do not use cream cleaners or citrus based cleaning products, as they are abrasive.
- Use of unsuitable cleaning agents may damage the surface. Any damage caused in this way will not be covered by warranty.