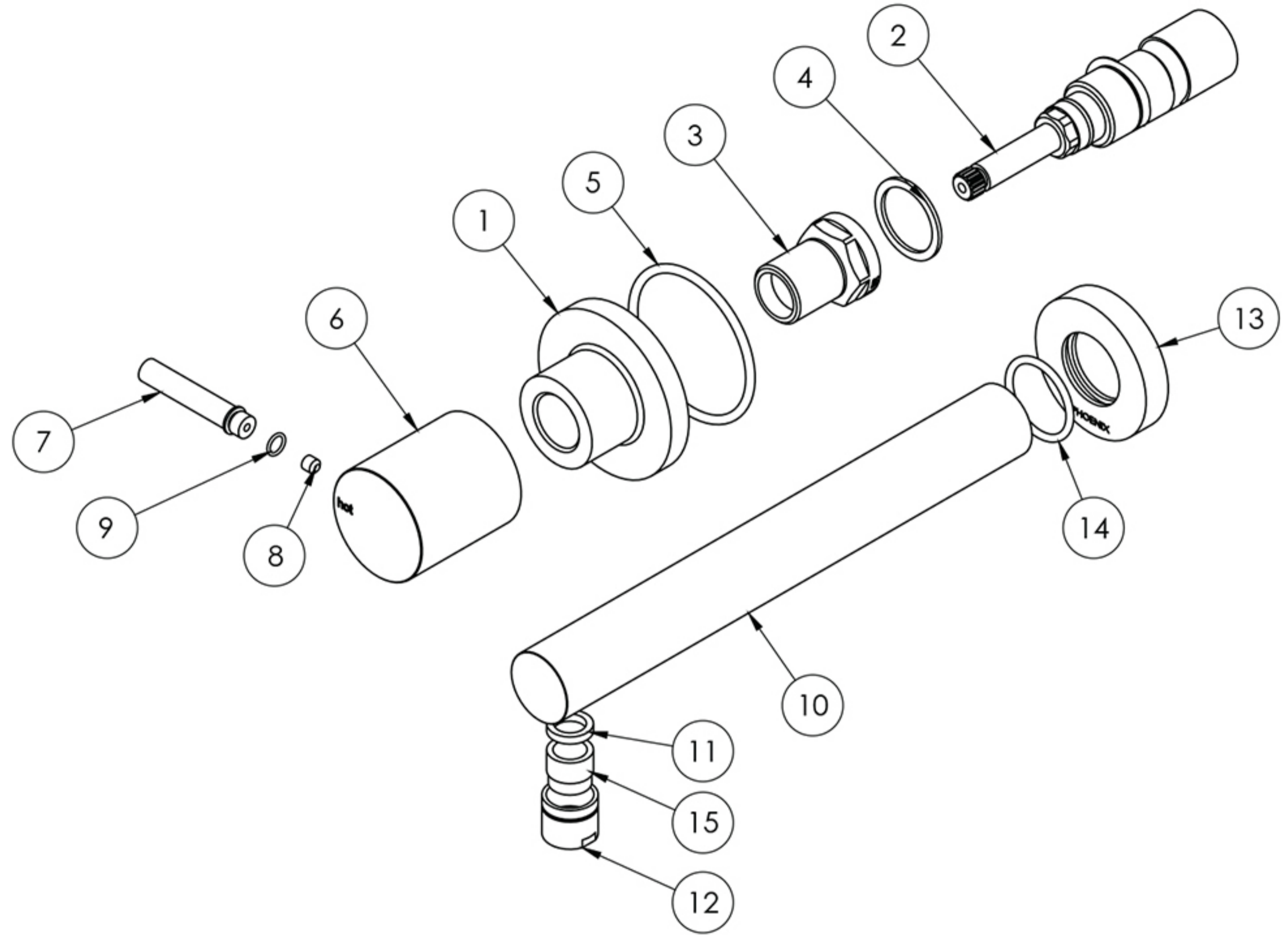


PARTS LIST

1. WALL FLANGE
2. SPLINE
3. BONNET
4. FIBER WASHER
5. O-RING 50X3.0MM
6. HANDLE BODY
7. PIN LEVER
8. GRUB SCREW M5X5
9. O-RING 6X1.0MM
10. SPOUT 200MM
11. GASKET
12. AERATOR RETAINER
13. DRESS PLATE
14. O-RING
15. AERATOR



MAINTENANCE AND CARE:

- All surfaces should be cleaned with mild liquid detergent or soap and water.
- Do not use cream cleaners or citrus based cleaning products, as they are abrasive.
- Use of unsuitable cleaning agents may damage the surface. Any damage caused in this way will not be covered by warranty.