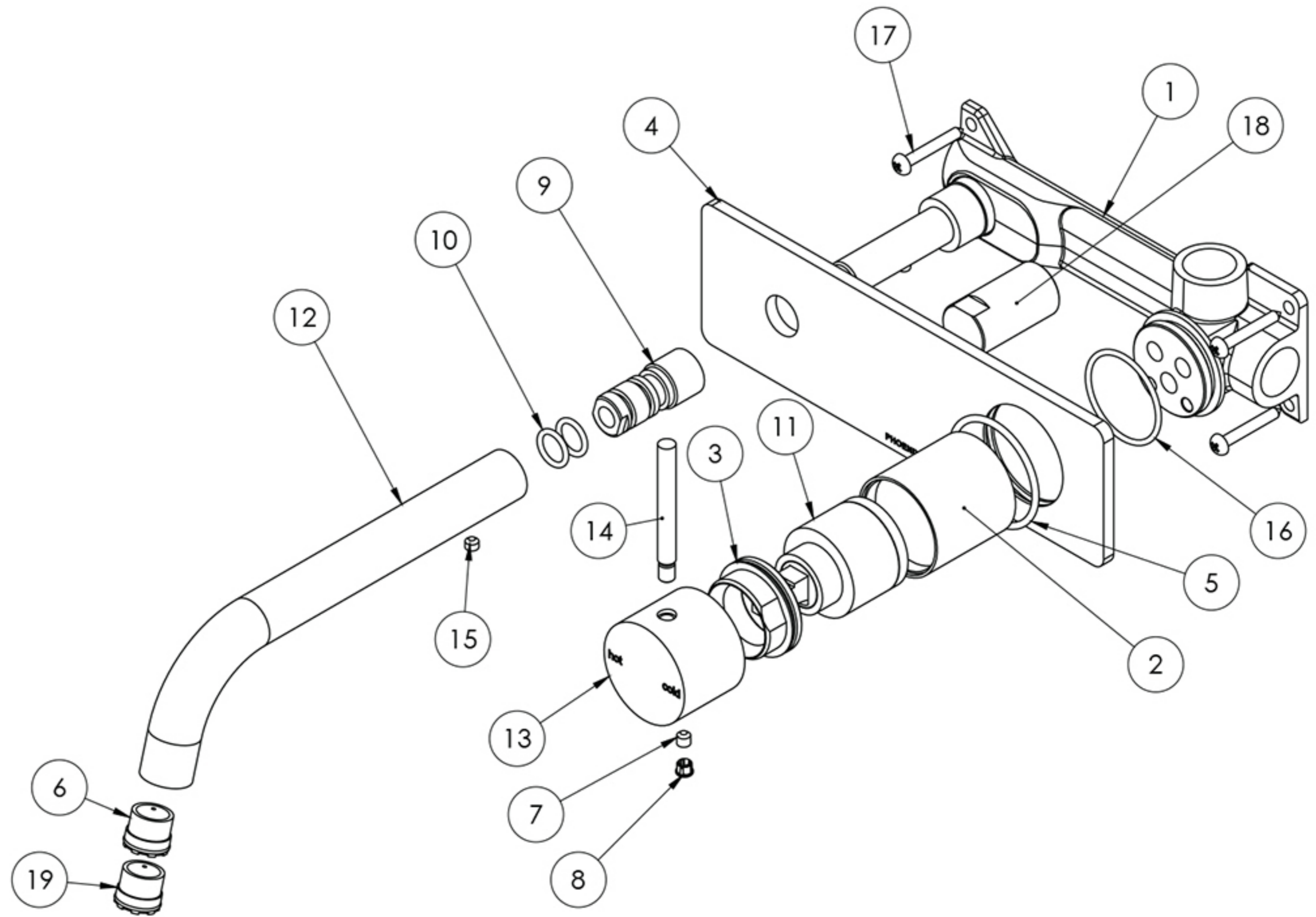


PARTS LIST

1. WALL BREACH
2. WALL MIXER SLEEVE
3. LOCKNUT DOME
4. DRESS PLATE
5. O-RING 39X2.5MM
6. AERATOR
7. GRUB SCREW M5X5
8. SCREW CAP
9. SPOUT ADAPTER
10. O-RING 11X2.0MM
11. 35MM CARTRIDGE
12. CURVED WALL SPOUT
13. HANDLE
14. PIN LEVER
15. GRUB SCREW M5X4
16. O-RING 33X2.0 MM
17. SCREW
18. TEST CAP
19. FREE FLOW AERATOR



MAINTENANCE AND CARE:

- All surfaces should be cleaned with mild liquid detergent or soap and water.
- Do not use cream cleaners or citrus based cleaning products, as they are abrasive.
- Use of unsuitable cleaning agents may damage the surface. Any damage caused in this way will not be covered by warranty.