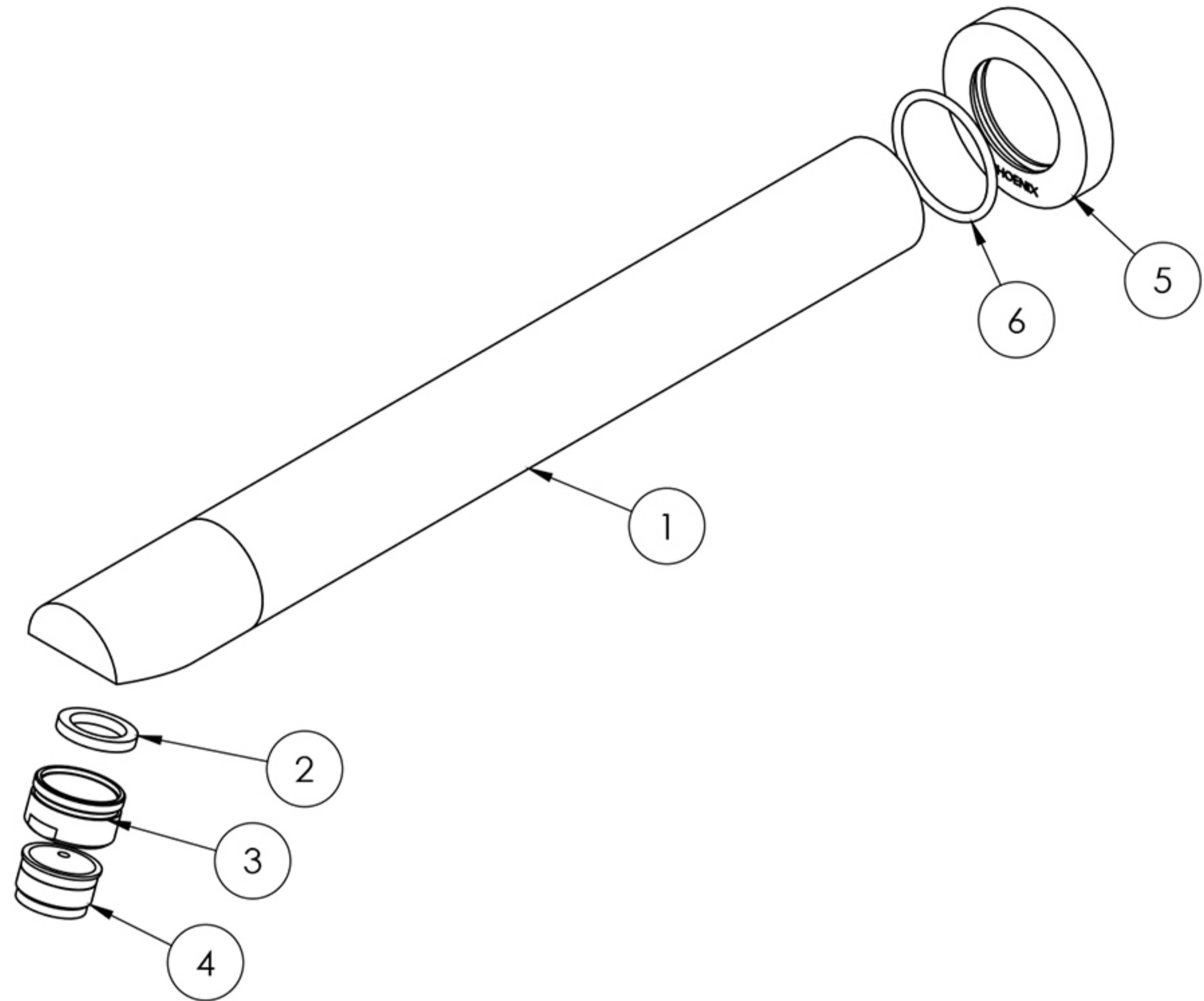


PARTS LIST

1. SPOUT
2. AERATOR GASKET
3. HOUSING
4. AERATOR
5. DRESS RING
6. O-RING 32X2.5



MAINTENANCE AND CARE:

- All surfaces should be cleaned with mild liquid detergent or soap and water.
- Do not use cream cleaners or citrus based cleaning products, as they are abrasive.
- Use of unsuitable cleaning agents may damage the surface. Any damage caused in this way will not be covered by warranty.