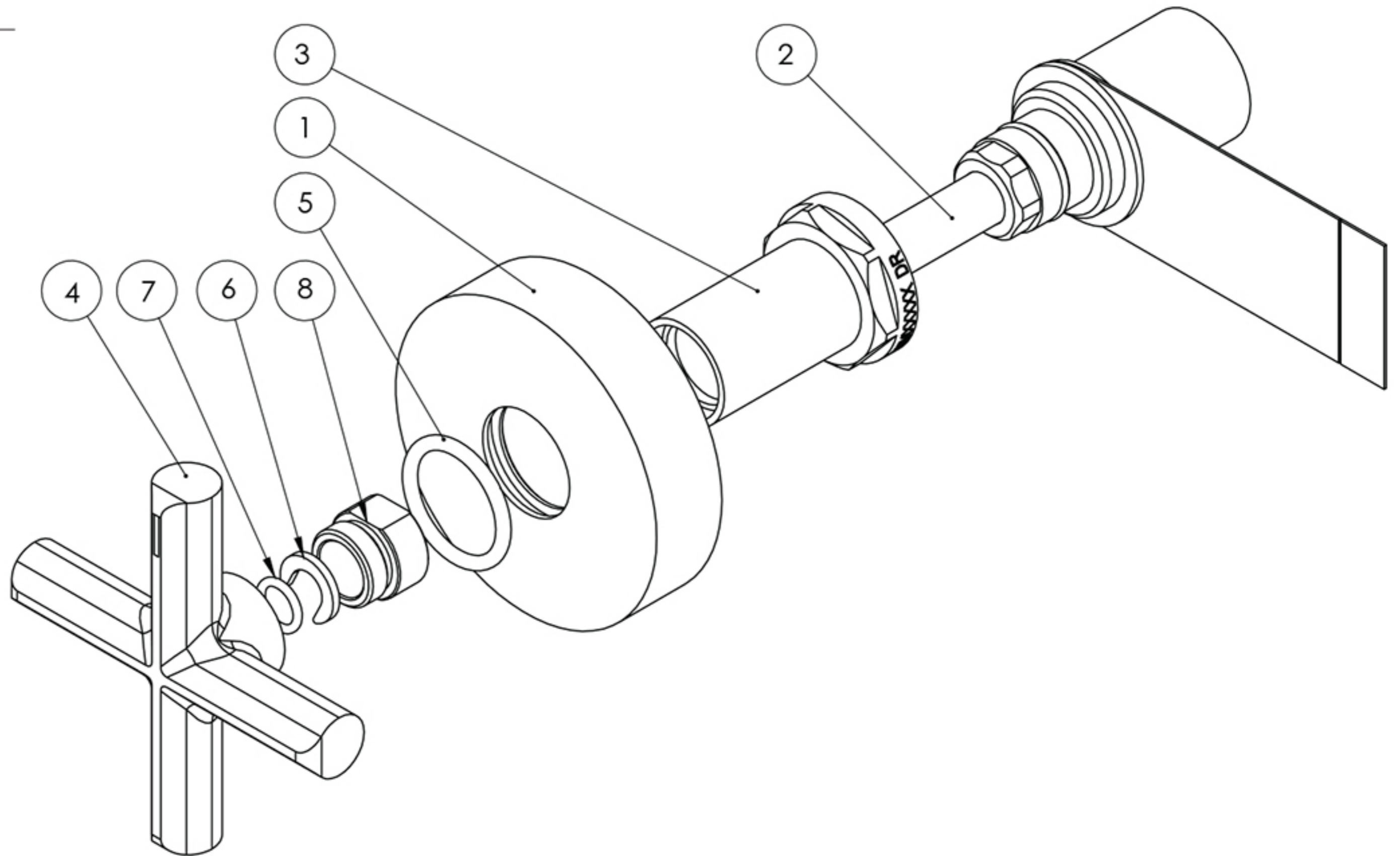


## PARTS LIST

---

1. DRESS PLATE
2. CARTRIDGE
3. BONNET
4. HANDLE
5. O-RING 19X2.5
6. C CLIP
7. O-RING 7X1.5
8. ANTIVANDAL COLLET



## MAINTENANCE AND CARE:

---

- All surfaces should be cleaned with mild liquid detergent or soap and water.
- Do not use cream cleaners or citrus based cleaning products, as they are abrasive.
- Use of unsuitable cleaning agents may damage the surface. Any damage caused in this way will not be covered by warranty.