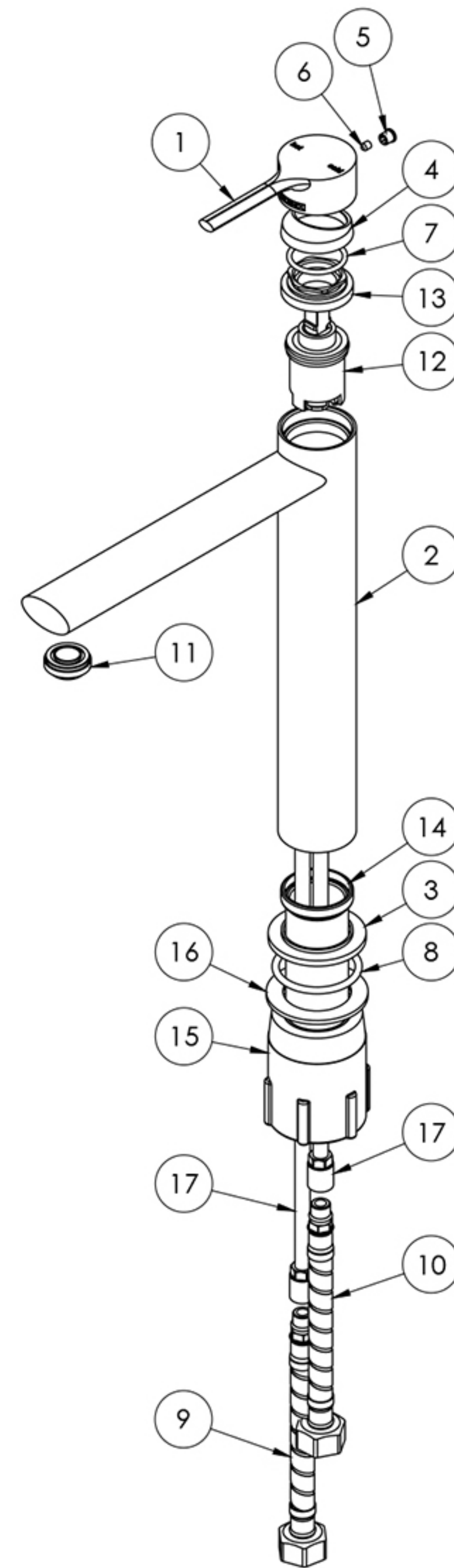


PARTS LIST

1. OVAL BASIN MIXER HANDLE
2. MIXER BODY
3. MIXER PLATE
4. MIXER DOME
5. GRUB SCREW CAP M5
6. GRUB SCREW M4 X 5
7. O-RING 26X2.5MM
8. O-RING 39X3.5MM
9. FLEXIBLE HOSE (HOT)
10. FLEXIBLE HOSE (COLD)
11. AERATOR
12. 25MM CARTRIDGE
13. CARTRIDGE SLEEVE
14. MIXER TAIL
15. MIXER LOCKNUT
16. LOCKNUT GASKET
17. HOSE EXTENSION ASSEMBLY



MAINTENANCE AND CARE:

- All surfaces should be cleaned with mild liquid detergent or soap and water.
- Do not use cream cleaners or citrus based cleaning products, as they are abrasive.
- Use of unsuitable cleaning agents may damage the surface. Any damage caused in this way will not be covered by warranty.