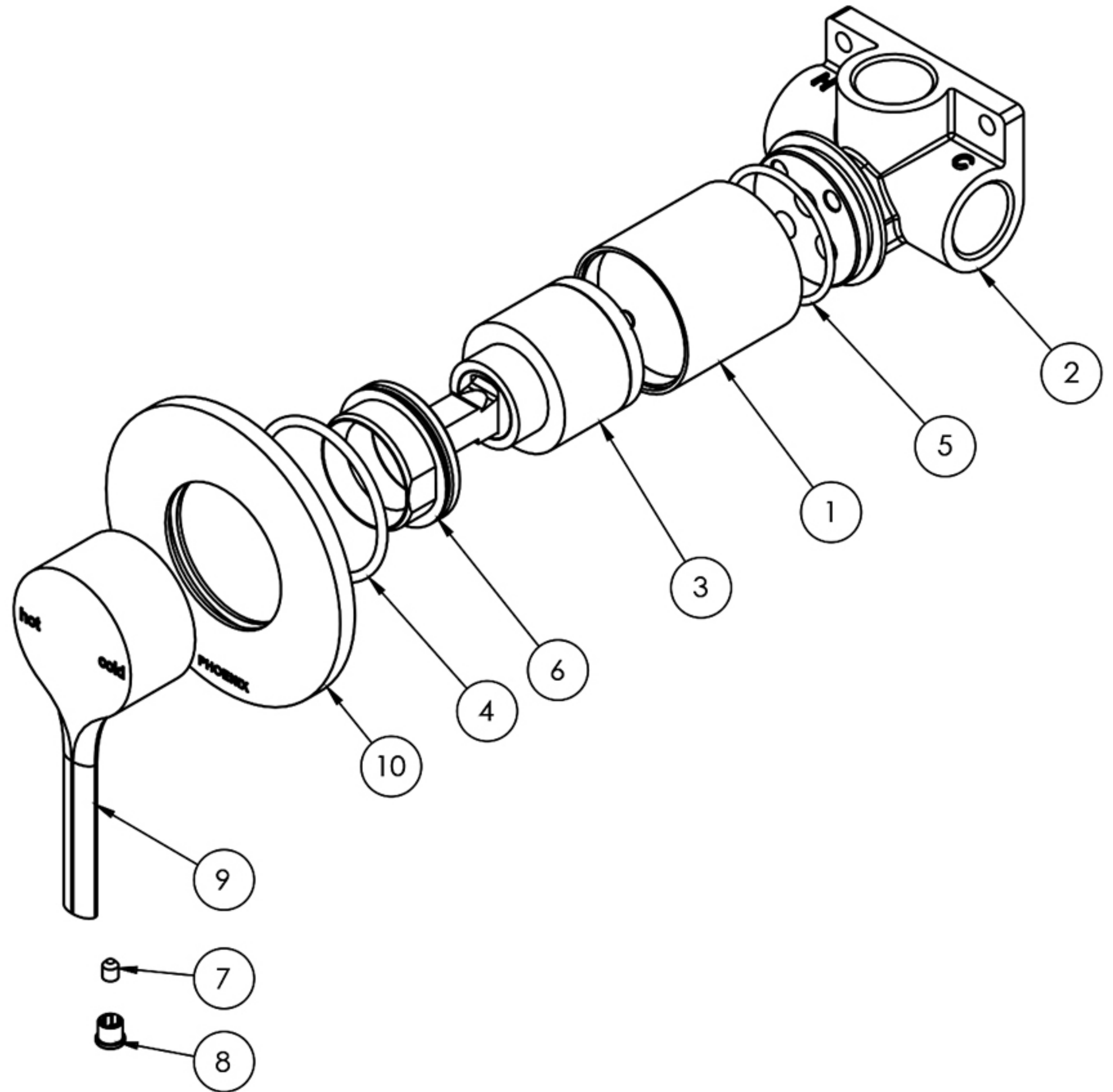


## PARTS LIST

1. WALL MIXER SLEEVE
2. WALL MIXER BODY
3. 35MM CARTRIDGE
4. O-RING 39X2.5MM
5. O-RING 33X2.0MM
6. DOME
7. GRUB SCREW M4X5
8. GREW SCREW CAP
9. HANDLE
10. DRESS PLATE



## MAINTENANCE AND CARE:

- All surfaces should be cleaned with mild liquid detergent or soap and water.
- Do not use cream cleaners or citrus based cleaning products, as they are abrasive.
- Use of unsuitable cleaning agents may damage the surface. Any damage caused in this way will not be covered by warranty.

## PACKAGING INCLUDES

- 1 x Wall mixer
- 1 x Wall mixer handle
- 1 x Dress plate
- 1 x Installation kit
- 1 x Installation instructions
- 1 x Warranty card