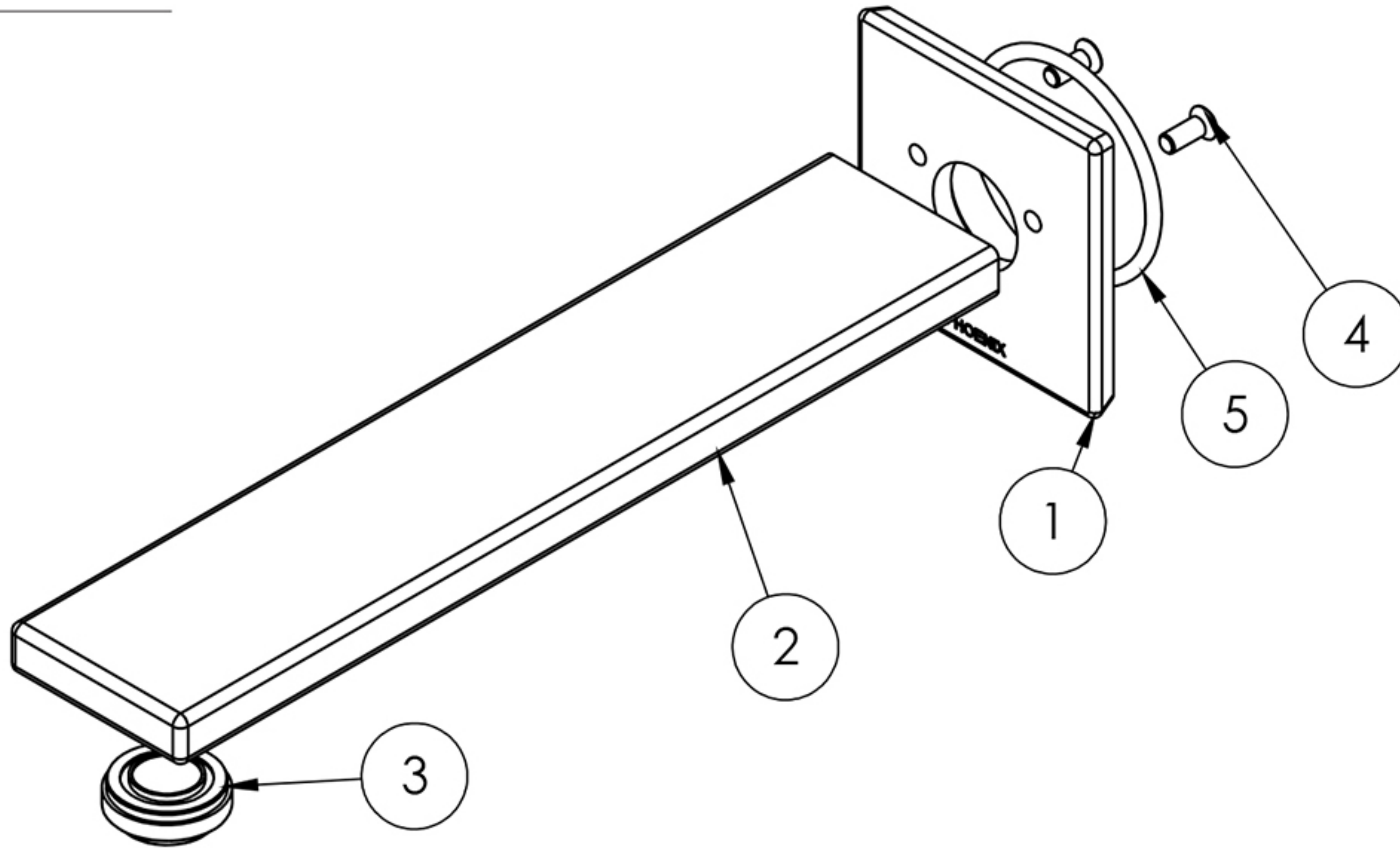


PARTS LIST

1. DRESS PLATE
2. OUTLET
3. AERATOR
4. SCREW
5. O-RING 43X3



MAINTENANCE AND CARE:

- All surfaces should be cleaned with mild liquid detergent or soap and water.
- Do not use cream cleaners or citrus based cleaning products, as they are abrasive.
- Use of unsuitable cleaning agents may damage the surface. Any damage caused in this way will not be covered by warranty.