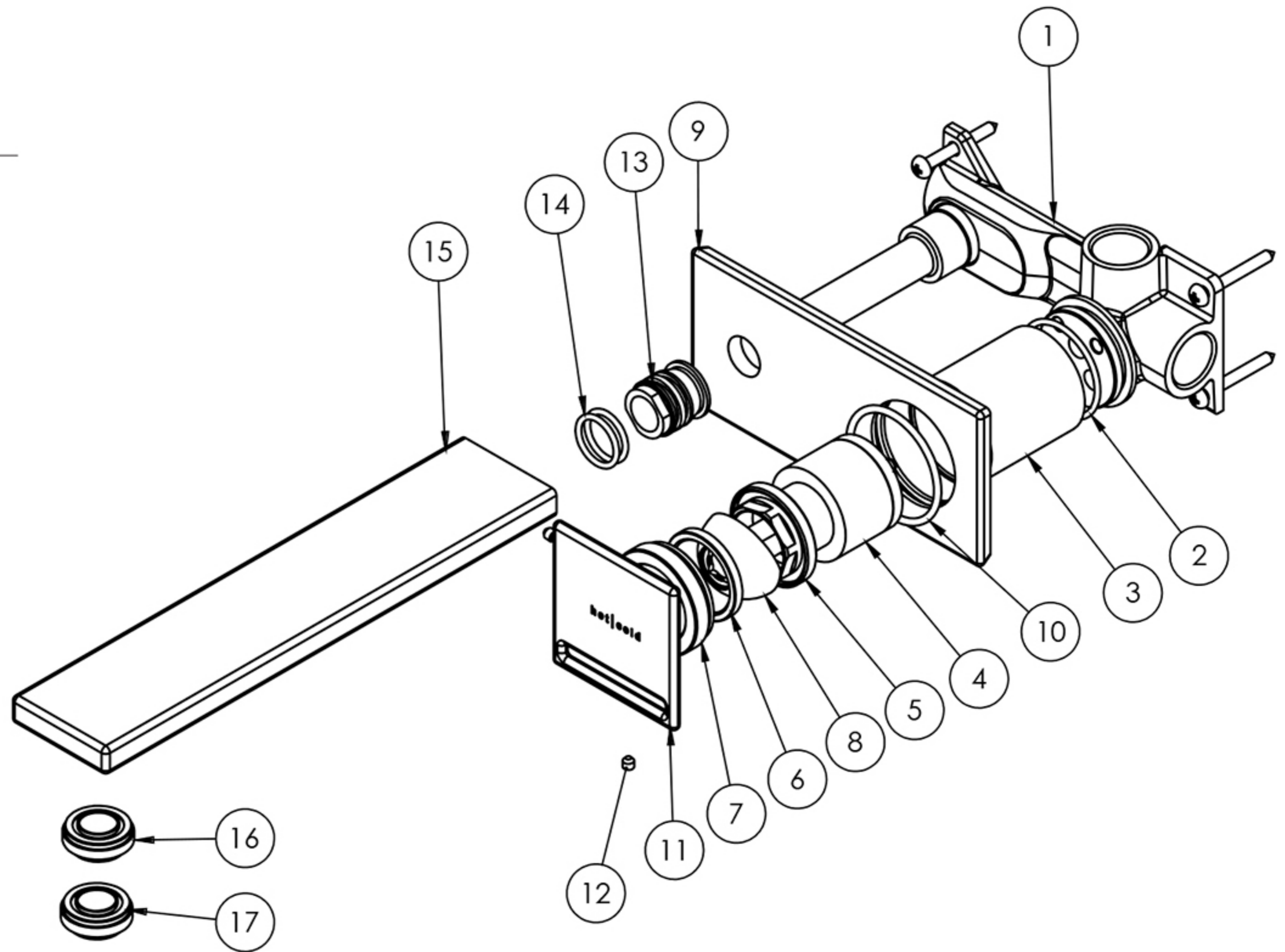


## PARTS LIST

1. WALL MIXER SET BREACH
2. O-RING
3. SLEEVE
4. 35MM CARTRIDGE
5. LOCKNUT
6. RETAINER WASHER
7. DOME RETAINER
8. MIXER DOME
9. DRESS PLATE
10. O-RING
11. HANDLE (NOT INCLUDED)
12. GRUB SCREW M4X4
13. SPOUT ADAPTOR
14. O-RING 16X2.0
15. SPOUT
16. AERATOR
17. MAX FLOW AERATOR



## MAINTENANCE AND CARE:

- All surfaces should be cleaned with mild liquid detergent or soap and water.
- Do not use cream cleaners or citrus based cleaning products, as they are abrasive.
- Use of unsuitable cleaning agents may damage the surface. Any damage caused in this way will not be covered by warranty.