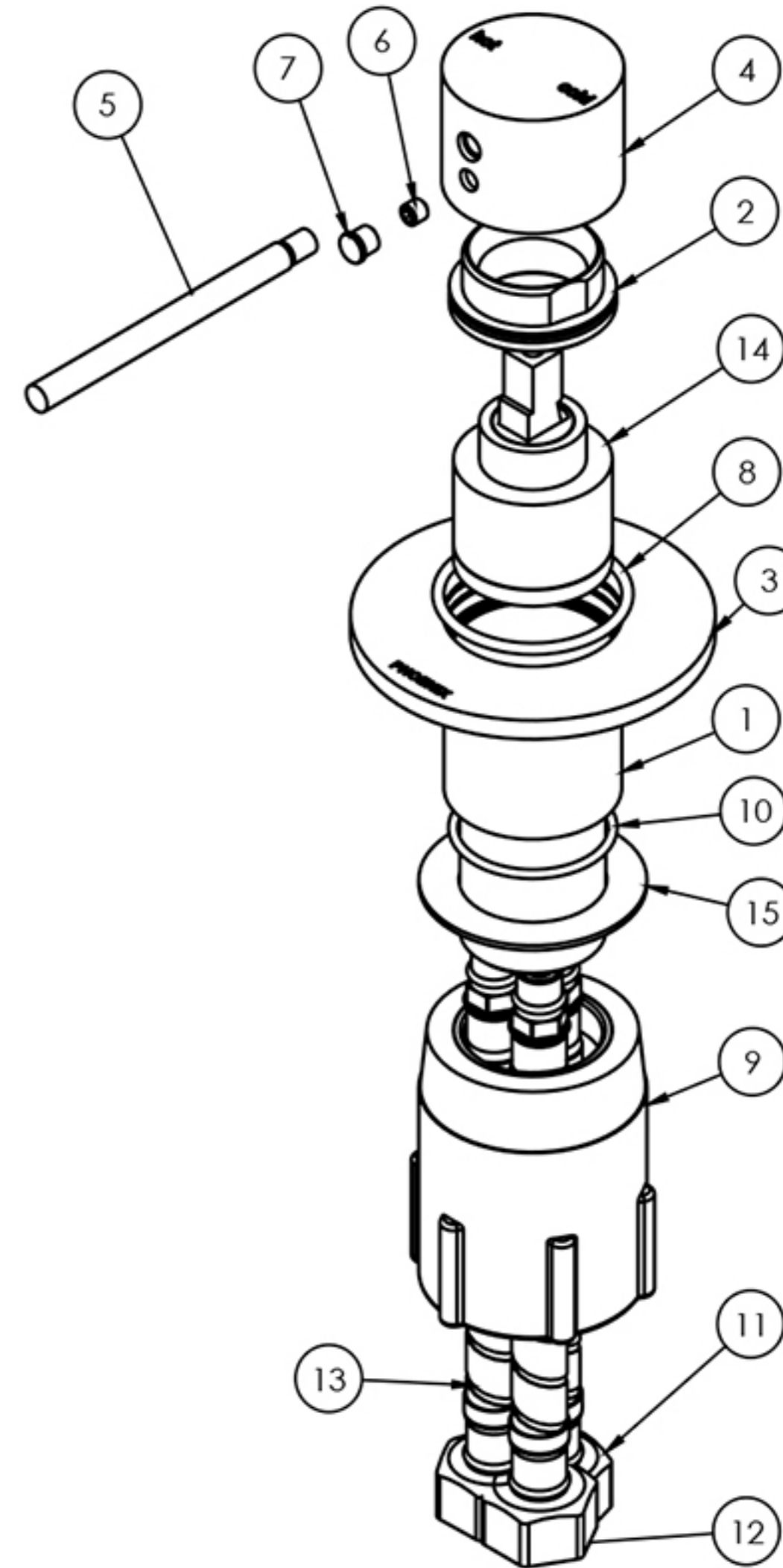


## PARTS LIST

---

1. MIXER BODY
2. MIXER LOCKNUT
3. DRESS PLATE
4. MIXER HANDLE
5. PIN LEVER
6. GRUB SCREW M5X5MM
7. SCREW CAP
8. O-RING 39X2.5MM
9. MIXER PLASTIC LOCKNUT
10. O-RING 33X2MM
11. FLEXIBLE HOSE 450MM
12. FLEXIBLE HOSE 450MM COLD
13. FLEXIBLE HOSE 450MM HOT
14. 35MM CARTRIDGE
15. LOCKNUT SPACER



## MAINTENANCE AND CARE:

---

- All surfaces should be cleaned with mild liquid detergent or soap and water.
- Do not use cream cleaners or citrus based cleaning products, as they are abrasive.
- Use of unsuitable cleaning agents may damage the surface. Any damage caused in this way will not be covered by warranty.