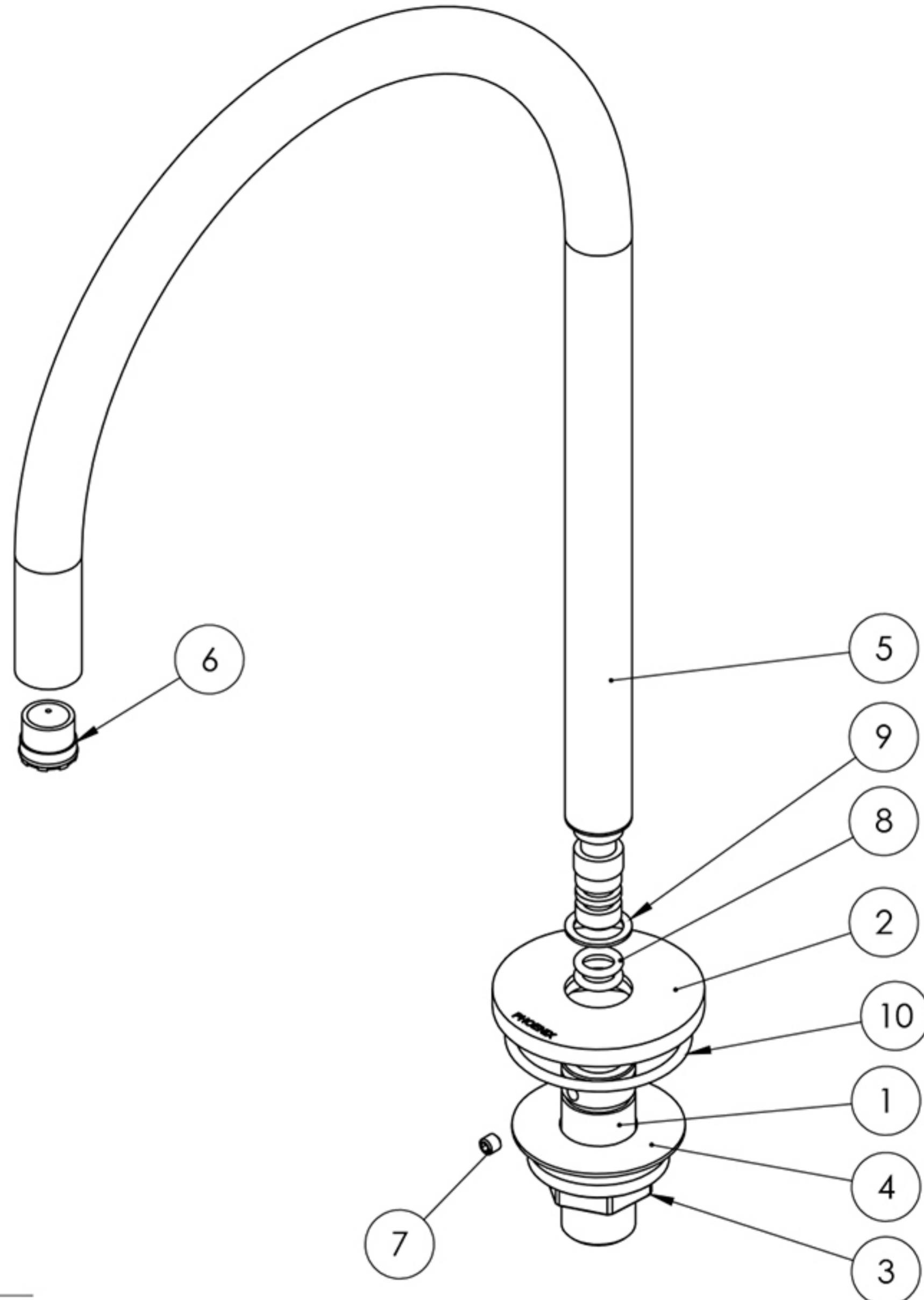


PARTS LIST

1. SWIVEL TAIL
2. DRESS PLATE
3. LOCKNUT PLASTIC
4. NYLON WASHER
5. 220MM MALE THREADED SPOUT
6. AERATOR
7. GRUB SCREW M5X5
8. O-RING 9X2.5
9. BEARING
10. O-RING



MAINTENANCE AND CARE:

- All surfaces should be cleaned with mild liquid detergent or soap and water.
- Do not use cream cleaners or citrus based cleaning products, as they are abrasive.
- Use of unsuitable cleaning agents may damage the surface. Any damage caused in this way will not be covered by warranty.