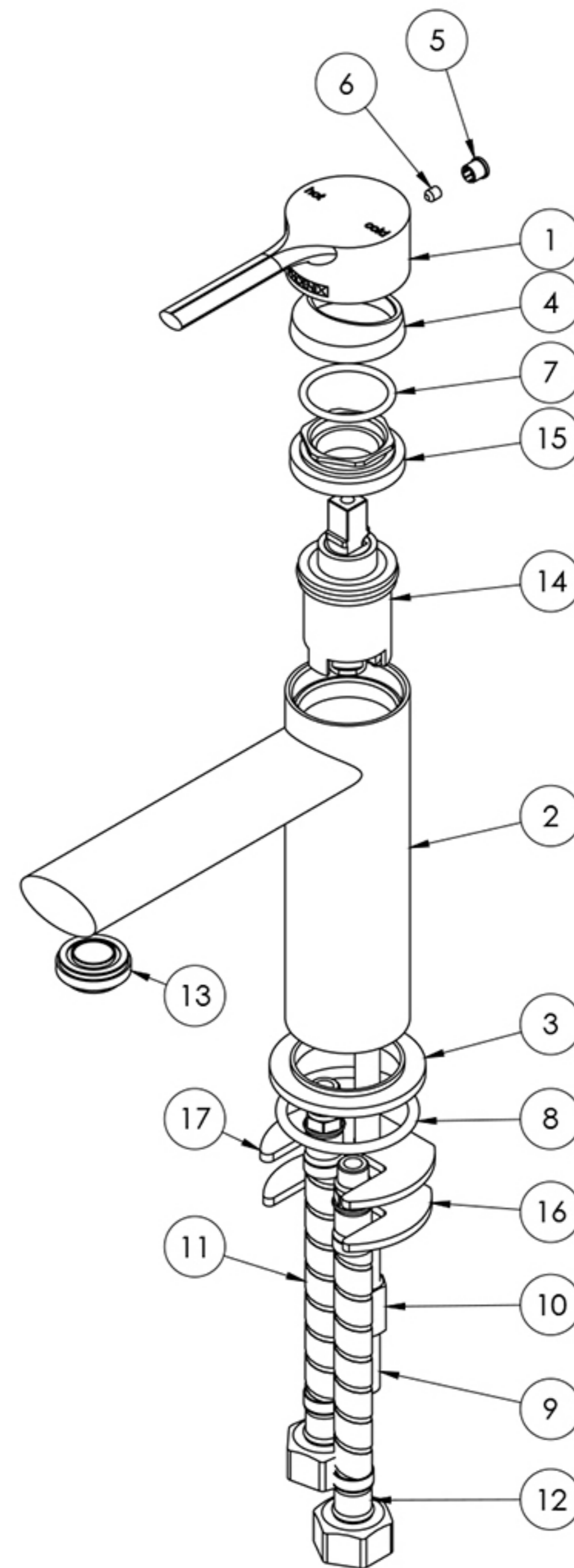


PARTS LIST

1. MIXER HANDLE
2. MIXER BODY
3. MIXER PLATE
4. MIXER DOME
5. GRUB SCREW CAP
6. GRUB SCREW M4X5
7. O-RING 26X2.5MM
8. O-RING 39X3.5MM
9. M8 THREADED ROD
10. M8 NUT
11. FLEXIBLE HOSE (HOT)
12. FLEXIBLE HOSE (COLD)
13. AERATOR
14. 25MM CARTRIDGE
15. CARTRIDGE SLEEVE
16. FIXING PLATE
17. RUBBER FIXING PLATE



MAINTENANCE AND CARE:

- All surfaces should be cleaned with mild liquid detergent or soap and water.
- Do not use cream cleaners or citrus based cleaning products, as they are abrasive.
- Use of unsuitable cleaning agents may damage the surface. Any damage caused in this way will not be covered by warranty.