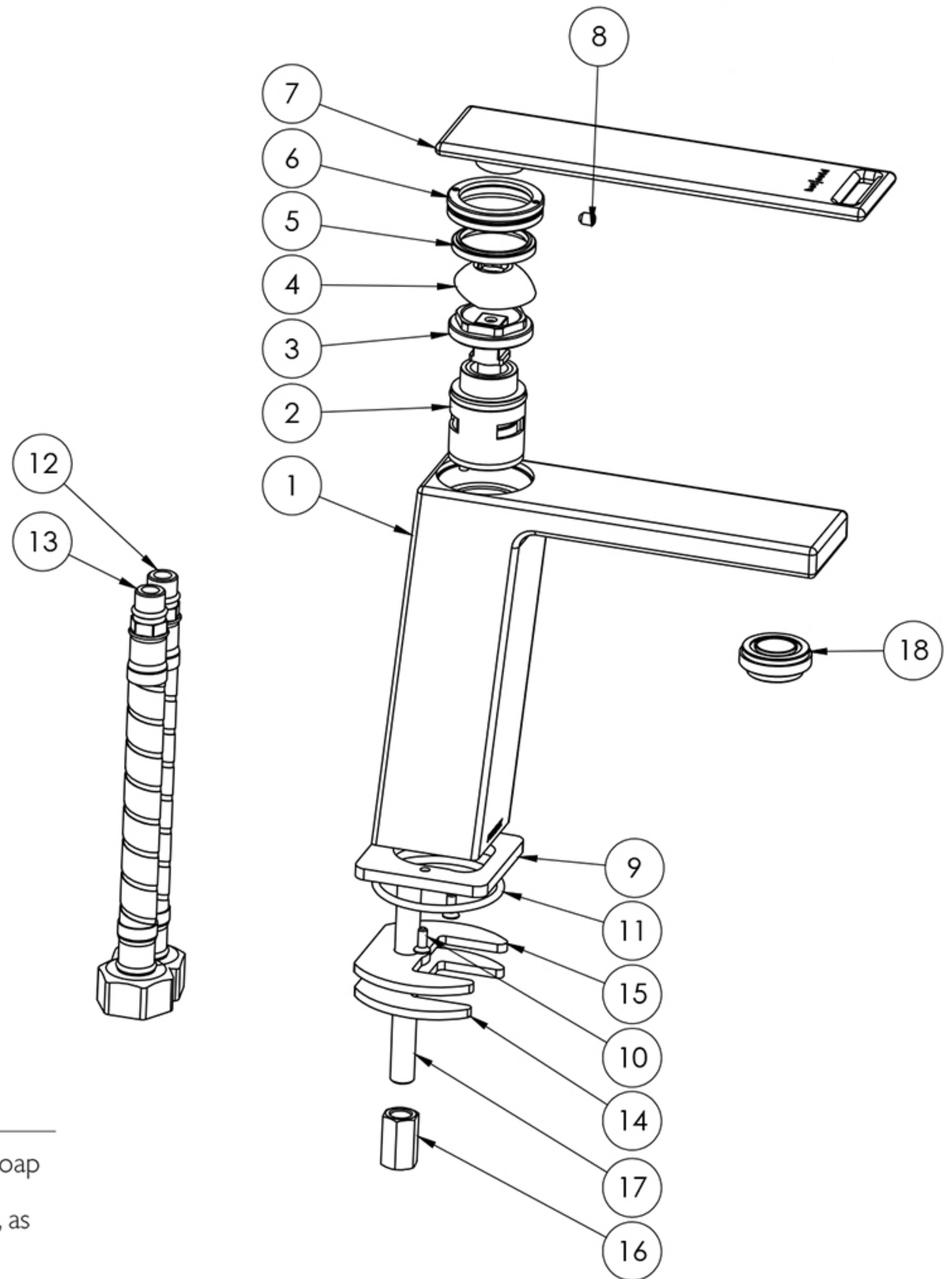


PARTS LIST

1. BASIN BODY
2. 25MM CARTRIDGE
3. LOCKNUT
4. DOME
5. RETAINER WASHER
6. DOME RETAINER
7. MIXER HANDLE (NOT INCLUDED)
8. GRUB SCREW M4X5
9. DRESSPLATE
10. SCREW
11. O-RING
12. FLEXIBLE HOSE 450MM COLD
13. FLEXIBLE HOSE 450MM HOT
14. FIXING PLATE
15. FIXING PLATE RUBBER
16. M8 NUT
17. M8 THREADED ROD
18. AERATOR



MAINTENANCE AND CARE:

- All surfaces should be cleaned with mild liquid detergent or soap and water.
- Do not use cream cleaners or citrus based cleaning products, as they are abrasive.
- Use of unsuitable cleaning agents may damage the surface. Any damage caused in this way will not be covered by warranty.