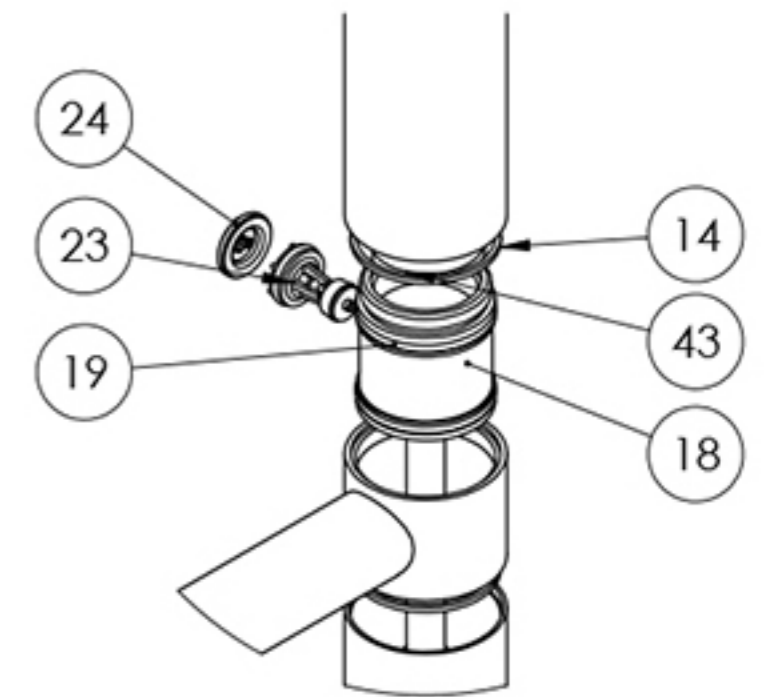
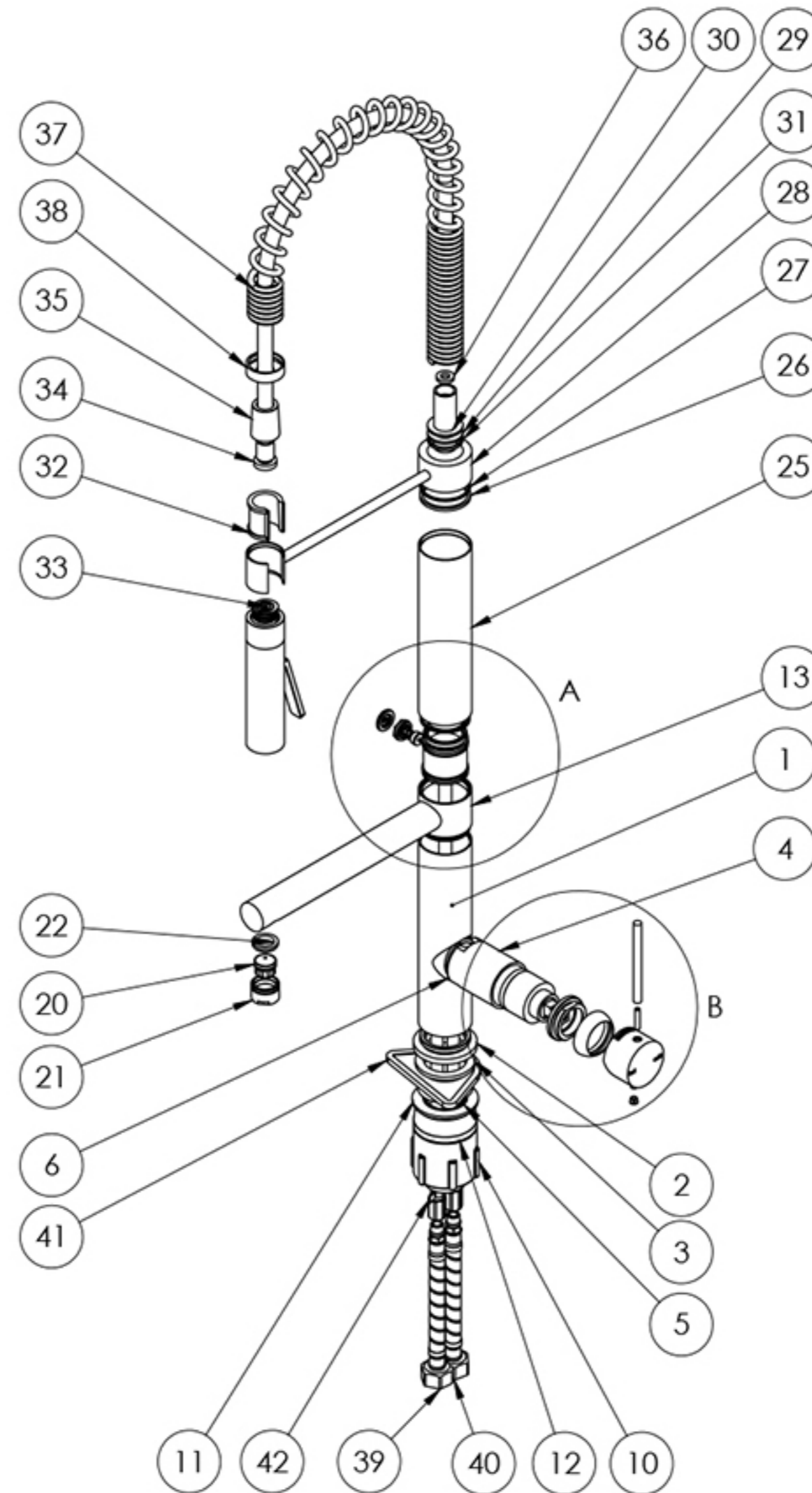
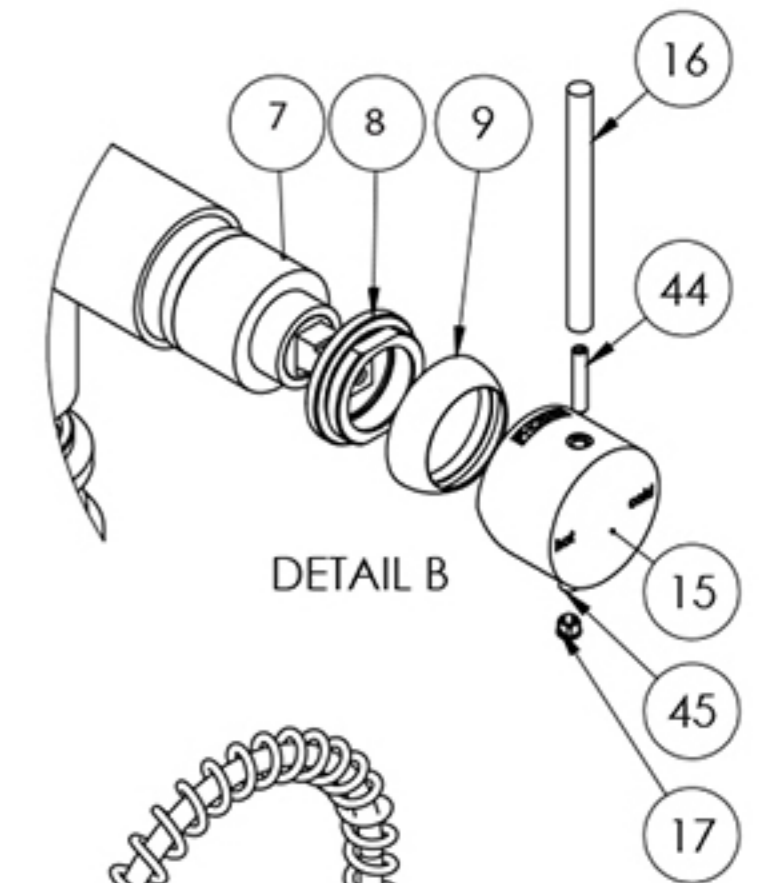


PARTS LIST

1. MULTIFUNCTION MIXER BODY
2. DRESS PLATE
3. DRESS PLATE GASKET
4. CARTRIDGE SEAT
5. M32 TAIL
6. HOSE EXTENSION 220MM
7. 35MM CARTRIDGE
8. CARTRIDGE LOCKNUT
9. MIXER DOME
10. LOCKNUT PLASTIC
11. LOCKNUT GASKET
12. SPACER
13. SWIVEL SPOUT
14. SPOUT SWIVEL BEARING
15. HANDLE
16. PIN LEVER
17. SCREW CAP
18. DIVERTER SEAT
19. O-RING 32X2.3MM
20. AERATOR
21. AERATOR RETAINER
22. AERATOR GASKET
23. DIVERTER
24. DIVERTER RETAINER
25. MIXER UPPER BODY
26. BRASS SPACER
27. TEFLON SPACER
28. SPRAYER ARM
29. SPRING GUIDE PILLAR
30. TEFLON BEARING
31. LOWER TEFLON BEARING
32. RETAINER PLASTIC INSERT
33. SPRAYER
34. HOSE ASSY
35. HOSE SHROUD
36. RUBBER SEAL
37. SPRING
38. SPRING END CAP
39. FLEXIBLE HOSE 250MM HOT
40. FLIEXIBE HOSE 250MM COLD
41. SWIVEL SPACER
42. RED INDICATOR TAPE
43. PLUG
44. GRUB SCREW M4X20
45. GRUB SCREW M5X4



DETAIL A



DETAIL B

