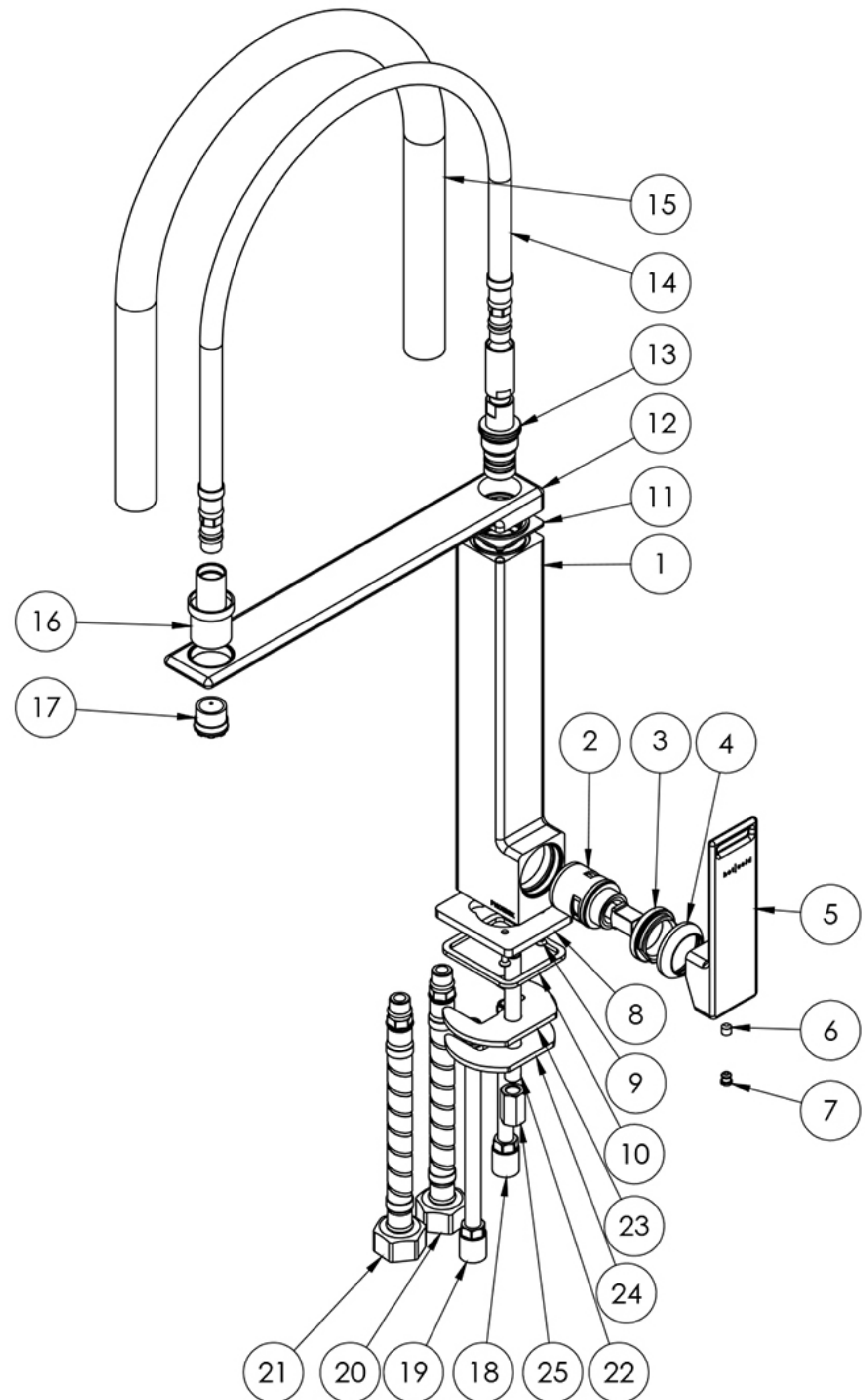


PARTS LIST

1. MIXER BODY
2. 25MM CARTRIDGE
3. LOCKNUT
4. DOMME
5. MIXER HANDLE (NOT INCLUDED)
6. GRUB SCREW CAP M5X5
7. RUBBER SCREW CAP
8. DRESS PLATE
9. SCREW M3X8
10. GASKET
11. SQUARE GASKET
12. RETAINER SWIVEL ASSY
13. SHAFT ASSEMBLY
14. FLEXIBLE HOSE
15. RUBBER TUBE
16. AERATOR RETAINER
17. AERATOR
18. HOSE EXTENSION ASSY COLD
19. HOSE EXTENSION ASSY HOT
20. FLEXIBLE HOSE 450MM HOT
21. FLEXIBLE HOSE 450MM COLD
22. M8 THREADED ROD
23. RUBBER GASKET
24. FIXING PLATE
25. M8 THREADED NUT



MAINTENANCE AND CARE:

- All surfaces should be cleaned with mild liquid detergent or soap and water.
- Do not use cream cleaners or citrus based cleaning products, as they are abrasive.
- Use of unsuitable cleaning agents may damage the surface. Any damage caused in this way will not be covered by warranty.