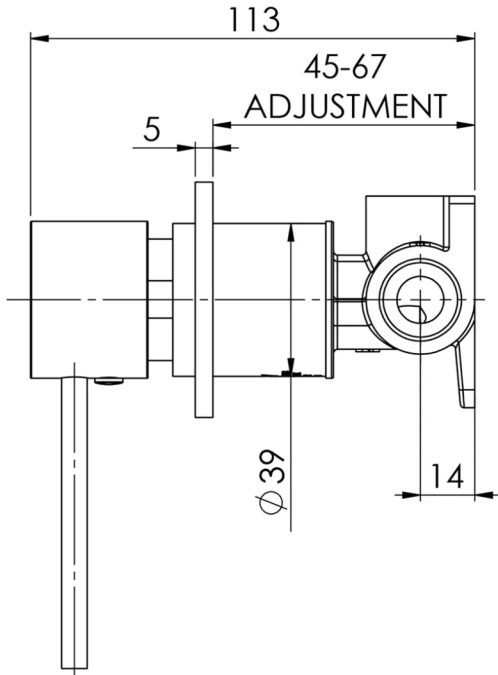
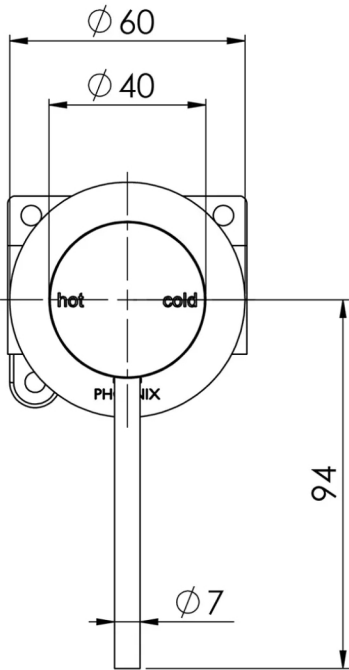

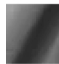


SPECIFICATIONS



AVAILABLE IN

- | | | | | |
|---|---|---|---|---|
|  |  |  |  |  |
| VS7801-00
Chrome | VS7801-40
Brushed Nickel | VS7801-30
Gun Metal | VS7801-31
Brushed Carbon | VS7801-10
Matte Black |
|  | | | | |
| VS7801-12
Brushed Gold | | | | |

INFORMATION

Temperature Rating
1 - 75°C

Pressure Rating
150 - 500kPa

MAINTENANCE AND CARE:

- All surfaces should be cleaned with mild liquid detergent or soap and water.
- Do not use cream cleaners or citrus based cleaning products, as they are abrasive.
- Use of unsuitable cleaning agents may damage the surface.
- Any damage caused in this way will not be covered by warranty.