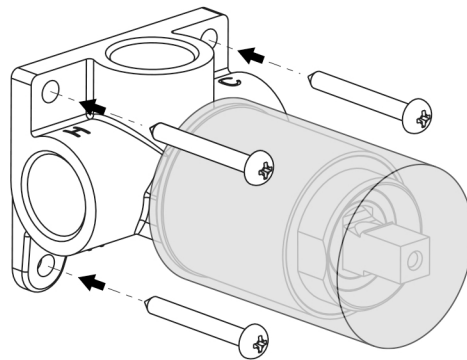
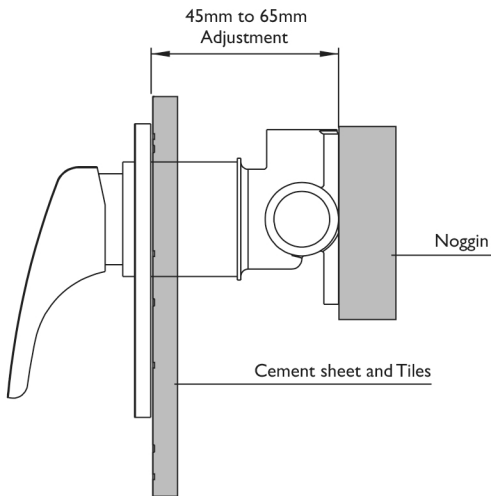


1

Mount the Mixer Body in place using the screws provided.

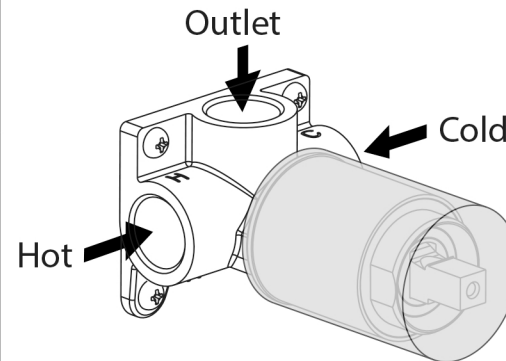
Ensure that Mixer Body is level.



2

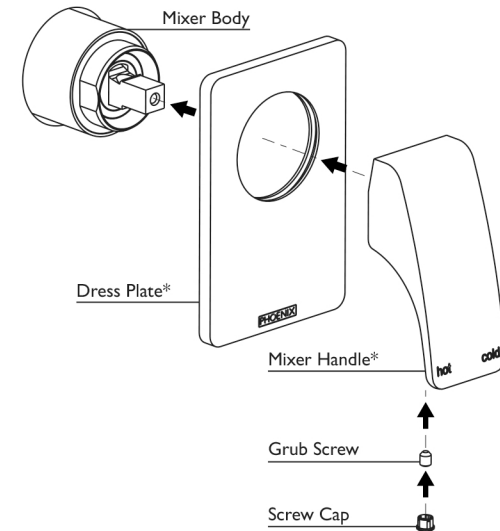
Connect water supply and water outlet.

Test and check for leaks.



3

- a. Create a 45mm round hole in cement sheet and tiles.
- b. Remove the protective cover.
- c. Push on the Dress Plate onto the Mixer Body.
- d. Push on the Mixer Handle and fasten Grub Screw.
- e. Fit Screw Cap into position.



* Images shown may vary from actual products



recommended working pressure

150-500 KPa

maximum hot water temperature

75 degrees

