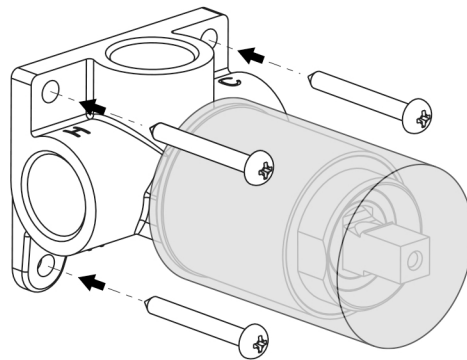
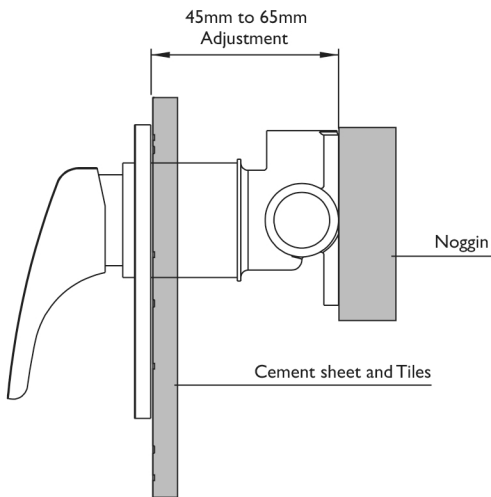


**1**

Mount the Mixer Body in place using the screws provided.

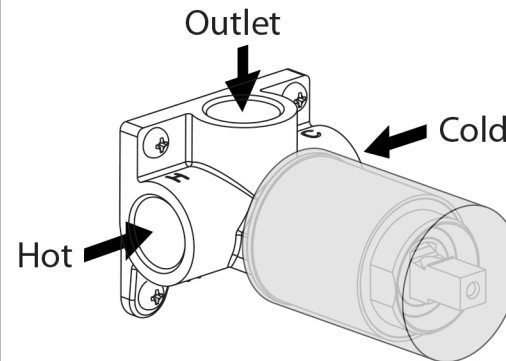
Ensure that Mixer Body is level.



**2**

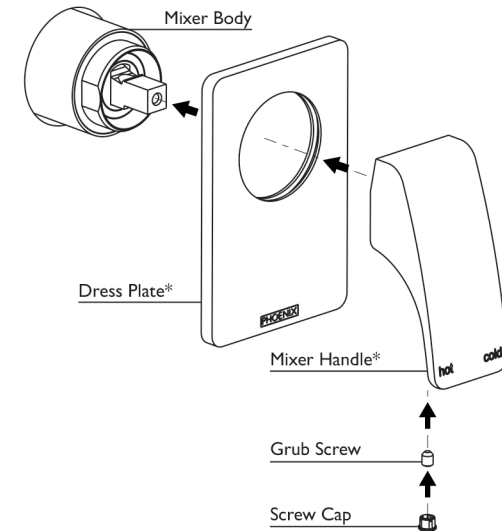
Connect water supply and water outlet.

Test and check for leaks.



**3**

- a. Create a 50mm round hole in cement sheet and tiles.
- b. Remove the protective cover.
- c. Push on the Dress Plate onto the Mixer Body.
- d. Push on the Mixer Handle and fasten Grub Screw.
- e. Fit Screw Cap into position.



\* Images shown may vary from actual products



recommended working pressure

**150-500 KPa**

maximum hot water temperature

**75 degrees**

