

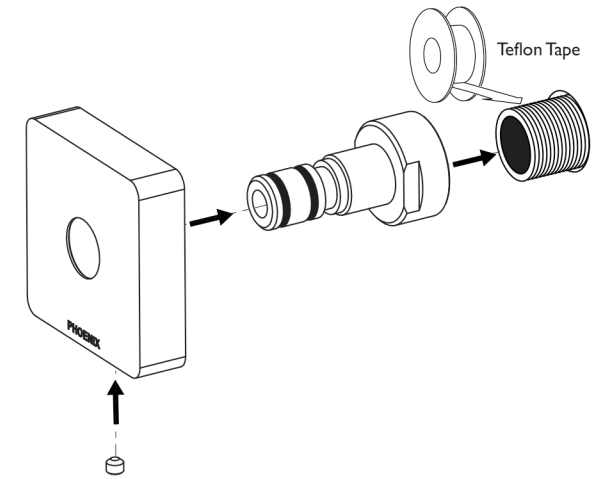
1

Apply Teflon Tape to Threaded Elbow.

Make sure that O-Ring are attached to the Spout Adaptor.

Screw Spout Adaptor onto Threaded Elbow firmly using a spanner.

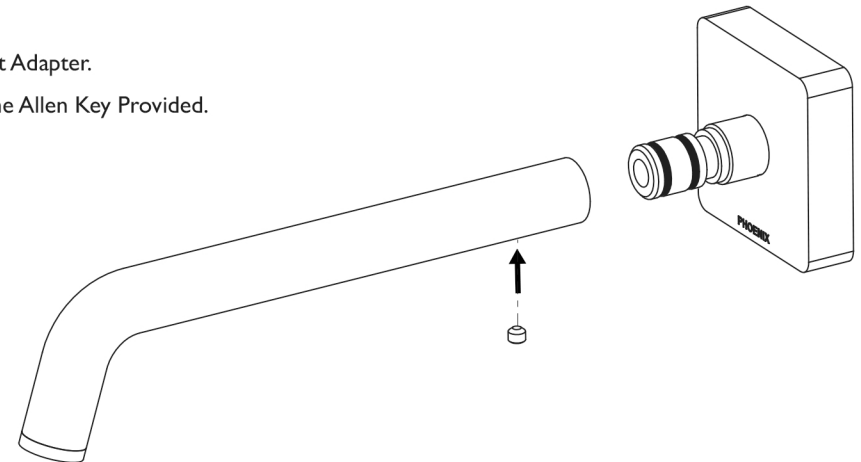
Push the Back Plate onto the Spout Adaptor and firmly fasten Grub Screw to secure the Back Plate.



2

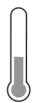
Push Wall Outlet onto Spout Adapter.

Fasten Grub Screws using the Allen Key Provided.



recommended working pressure

150-500 KPa



maximum hot water temperature

75 degrees