

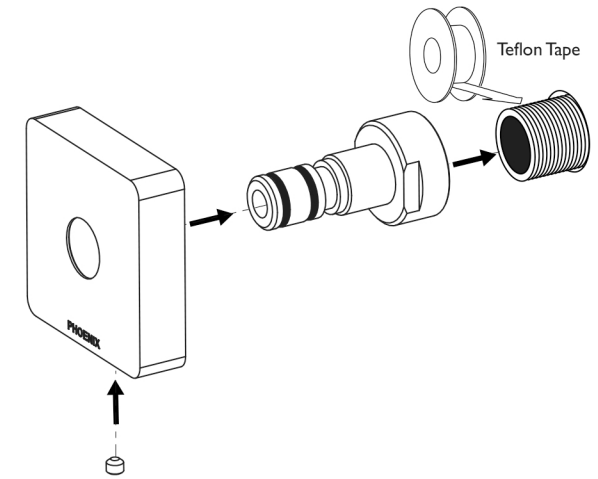
**1**

Apply Teflon Tape to Threaded Elbow.

Make sure that O-Ring are attached to the Spout Adaptor.

Screw Spout Adaptor onto Threaded Elbow firmly using a spanner.

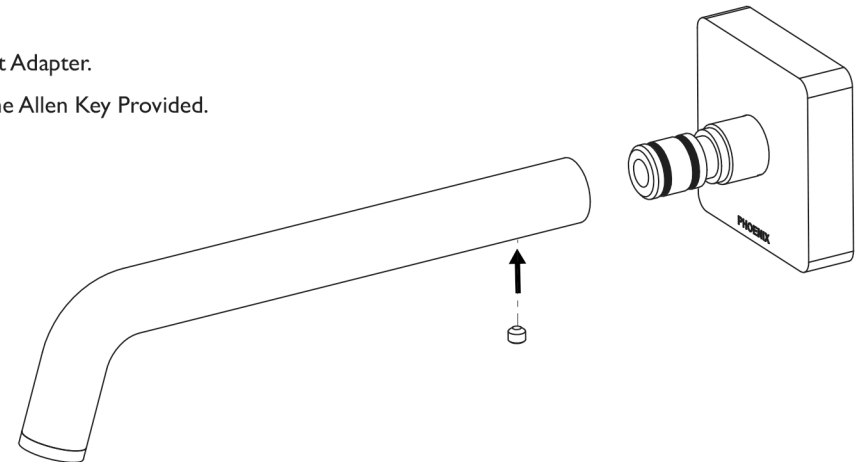
Push the Back Plate onto the Spout Adaptor and firmly fasten Grub Screw to secure the Back Plate.



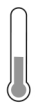
**2**

Push Wall Outlet onto Spout Adapter.

Fasten Grub Screws using the Allen Key Provided.



recommended  
working pressure  
**150-500**  
**KPa**



maximum hot  
water temperature  
**75**  
**degrees**