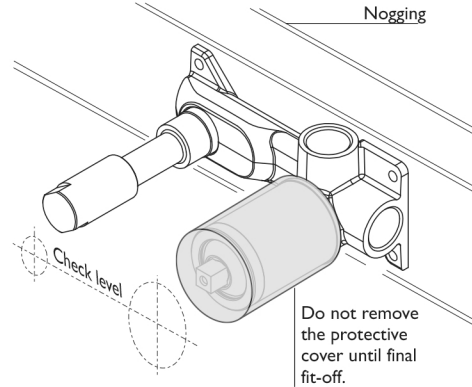


1

Screw the Mixer Breach onto Nogging.

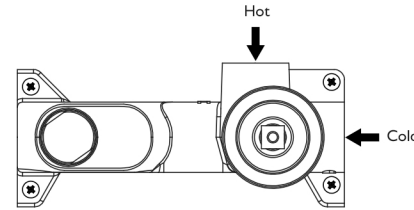
Ensure that the Outlet and Mixer Body centres are level.



2

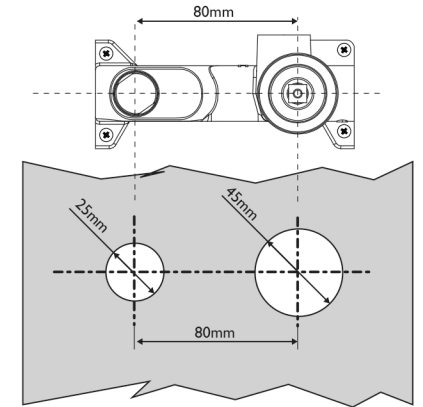
Connect hot and cold water supply, as shown.

Test and check for leaks.



3

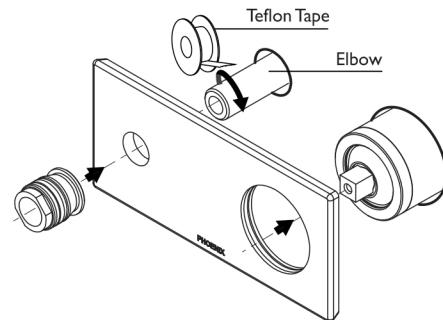
Drill a 25mm hole and a 45mm hole 80mm apart, centre to centre, in the finished wall, as shown.



4

Remove the protective cover from the mixer. Apply Teflon tape to Elbow Thread. Gently push the dress plate into position.

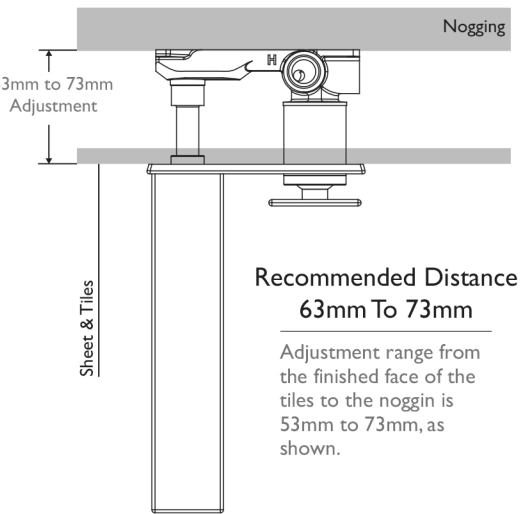
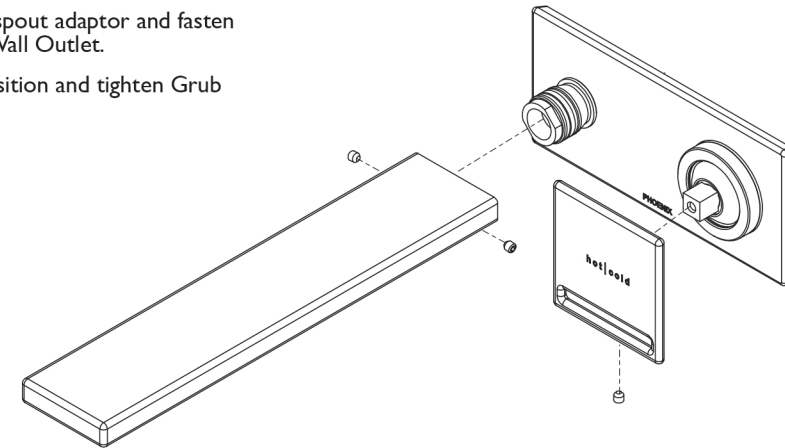
Screw Spout Adaptor to Elbow Thread with a spanner.



5

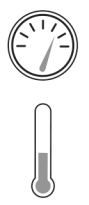
Push Wall Outlet to the spout adaptor and fasten Grub Screws to secure Wall Outlet.

Fit Mixer Handle into position and tighten Grub Screw to secure handle.



Recommended Distance
63mm To 73mm

Adjustment range from the finished face of the tiles to the noggin is 53mm to 73mm, as shown.



recommended working pressure
150-500 KPa
maximum hot water temperature
75 degrees