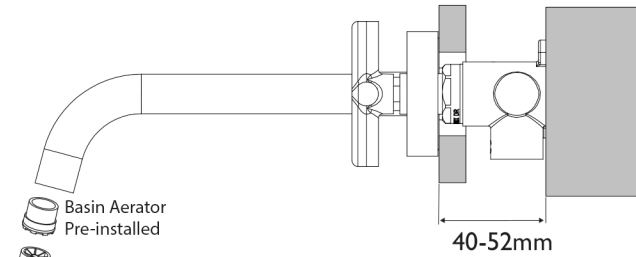


**Adjustment :**

Total adjustment range measured from nogging to finished wall surface is 40-52mm.

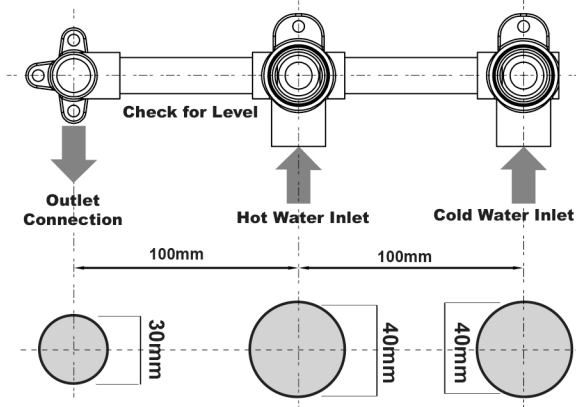


**CONVERTING TO BATH FILLER:**

Remove Basin Aerator from the outlet with the aerator key.  
Install Free Flow Aerator to the outlet.

**Rough-In :**

Screw the wall breach in place. **CHECK FOR LEVEL.**  
Connect water supply. **TEST & CHECK FOR LEAKS.**  
Create clearance holes in cement sheet and tiles.

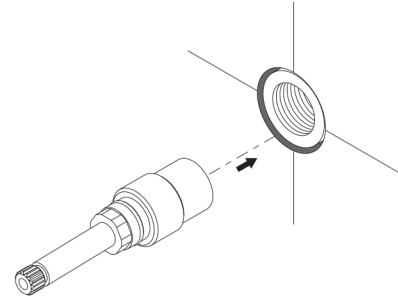


**1**

Screw Cartridge into Breach.

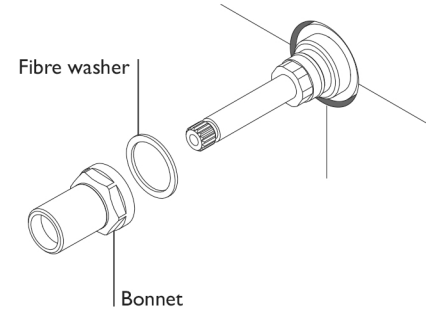
Tighten Cartridge firmly with a spanner.

**NOTE: DO NOT OVER TIGHTEN**



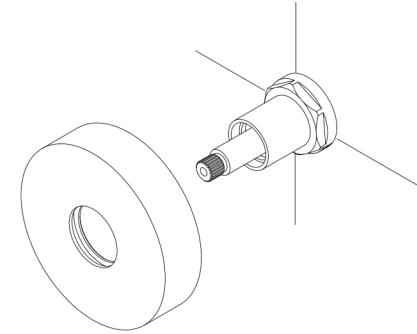
**2**

Fit Fibre Washer around the Cartridge and then firmly fasten the Bonnet onto the Spindle using a spanner.



**3**

- Ensure that both Taps are in the closed position.
- Push flange onto Bonnet until edge is in contact with tiles.

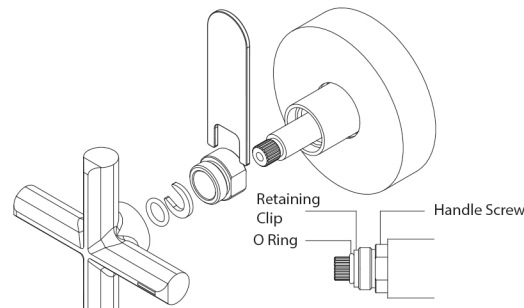


**4**

Place handle screw onto Cartridge shaft with thread facing handle. Press Retaining Clip into Cartridge shaft groove. Fit small O Ring over the spline and push up against the Retaining Clip.

- Fit the Handle onto the Spindle.

- Fasten the Handle Screw to the Spindle, using the Spanner provided.

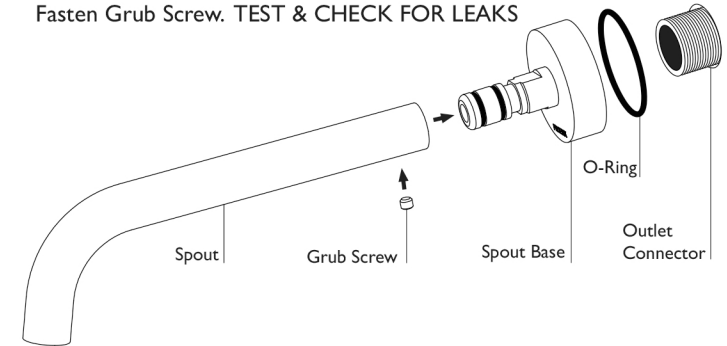


**5**

Apply teflon tape to the outlet connector  
Ensure that O-Ring is fitted to the spout base.

Screw the spout base onto the elbow thread with a spanner.  
Push the spout onto the spout base.

Fasten Grub Screw. **TEST & CHECK FOR LEAKS**



recommended working pressure

**150-500 KPa**



maximum hot water temperature

**75 degrees**